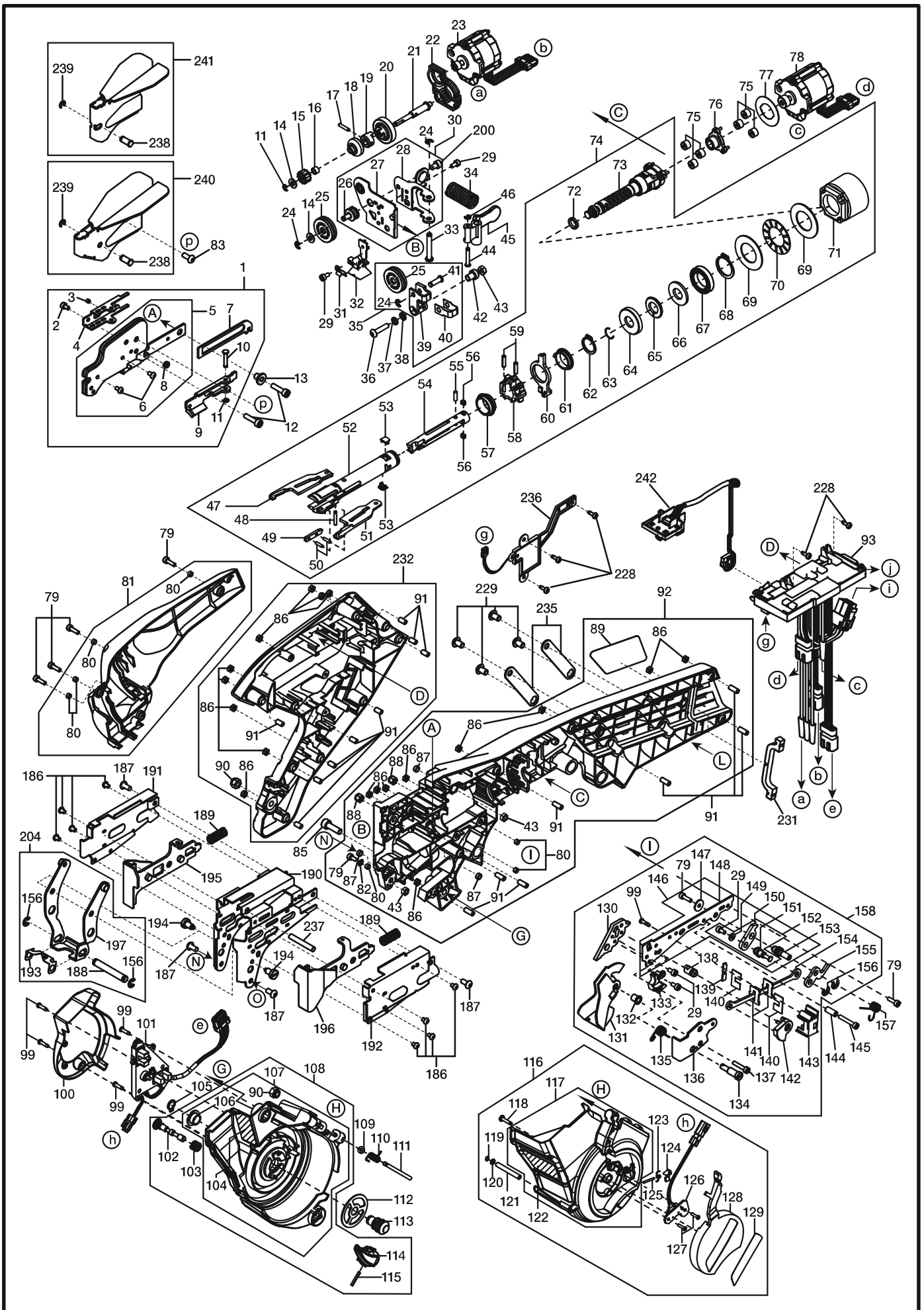
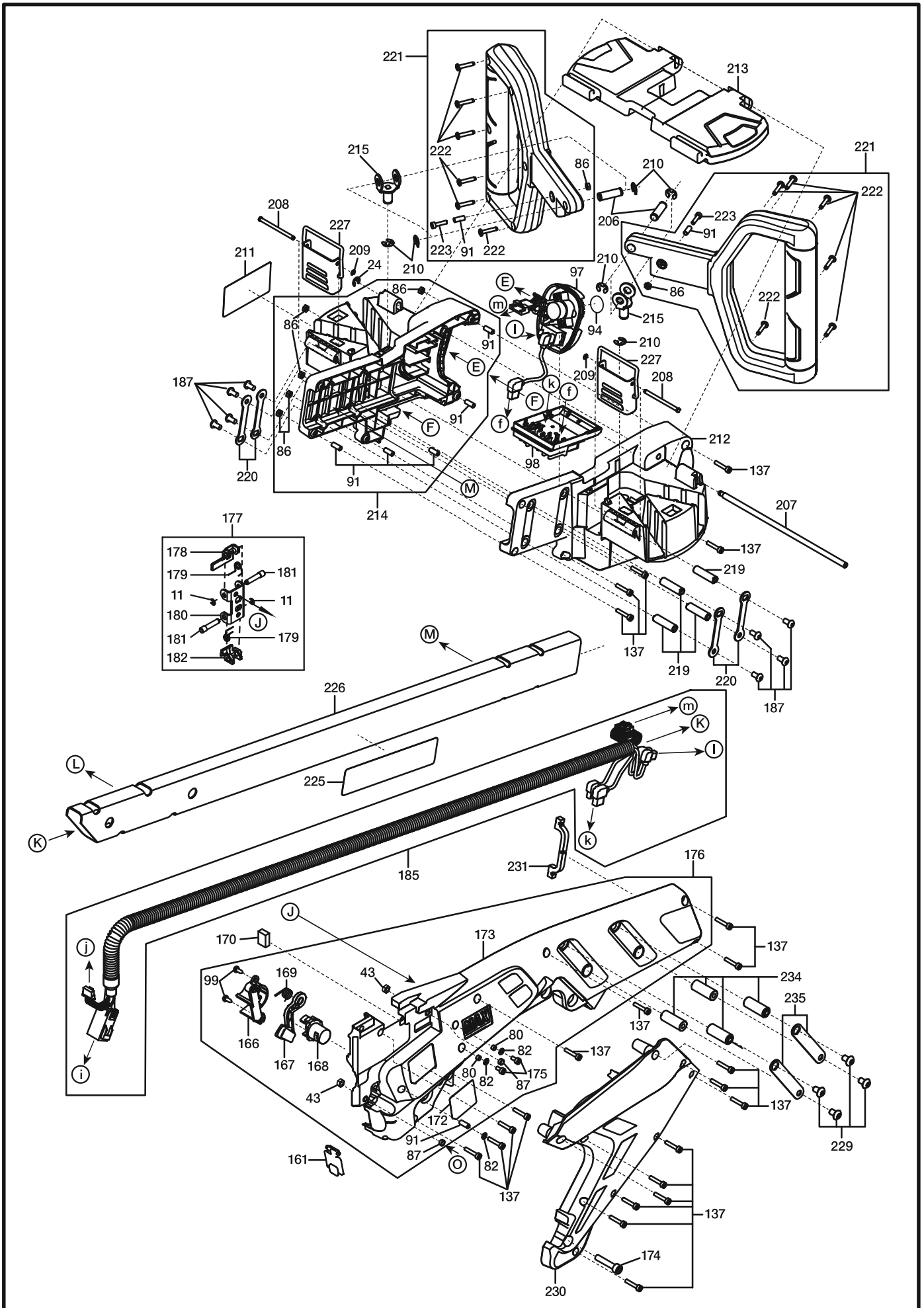


RB401T-E



RB401T-E



INDEX	CODE	DESCRIPTION
1	RB70859	ARM A ASSY
2	BB40481	BOLT 3X5
3	AA71408	SCREW 3 X 3
4	RB12633	WIRE GUIDE BASE
5	RB70917	ARM A UNIT
6	BB41714	BOLT 3X5 SG
7	RB12636	WIRE GUIDE LEVER
8	KK29117	COMPRESSION SPRING 9117
9	RB70620	WIRE GUIDE UNIT
10	FF41865	STEP PIN 1865
11	JJ10113	E-RING 2.5
12	BB40420	BOLT 4 X 16
13	FF52115	HOLLOW PIN 2115
14	EE39861	WASHER 4.3X9X1
15	RB12865	FEEDING GEAR A
16	FF51715	HOLLOW PIN 1715
17	FF31559	PIN 1559
18	RB12740	SHAFT COLLAR
19	RB12653	CLUTCH B
20	RB12651	CLUTCH A
21	RB12652	FEEDING GEAR SHAFT A
22	RB70700	FEEDING MOTOR BASE UNIT
23	RB70627	FEEDING MOTOR
24	JJ10514	E-RING 3 CF
25	RB70625	FEEDING GEAR B UNIT
26	RB12964	FEEDING GEAR SHAFT B
27	RB70881	FEEDING GEAR BASE UNIT
28	RB12963	SPRING BASE
29	BB40824	BOLT 3X6
31	RB12659	LEAF SPRING
32	RB70667	WIRE GUDE C UNIT
33	FF41867	STEP PIN 1867
34	KK29119	COMPRESSION SPRING 9119
35	RB81343	RELEASE LEVER A ASSY
36	BB41715	BOLT 4X18 C
37	EE11103	SPRING WASHER 2-4
38	EE39825	WASHER 4.5X7.4X0.8
39	RB12965	RELEASE LEVER A
40	RB12683	RELEASE LEVER A CAP
41	FF41869	STEP PIN 1869
42	FF52120	HOLLOW PIN 2117
43	CC42512	HEX NUT 1A M4
44	FF41868	STEP PIN 1868
45	RB12657	RELEASE LEVER B

46	JJ10510	RETAINING RING 2.3
47	RB12609	HOOK L
48	RB12853	CARBIDE PIN 2.5X14.8
49	RB12616	SLEEVE COVER
50	FF21267	SPRING PIN 2X8
51	RB12610	HOOK R
52	RB12614	SLEEVE A
53	RB12712	KEY
54	RB12611	CENTER HOOK
55	FF31718	PARALELL PIN 1718
56	RB12713	KEY B
57	RB12612	SLEEVE GUIDE
58	RB12615	SLEEVE B
59	FF21234	W.S. PIN 3 X 12 CN65055
60	RB12617	CUTTER RING
61	RB12618	CUTTER RING GUIDE
62	JJ21606	C-RING 15
63	JJ80901	C-RING 11
64	RB12714	BUMPER GUIDE
65	RB12619	BUMPER
66	EE39859	WASHER 11.1X23.4X2
67	LL11756	BEARING 6803ZZ
68	JJ21603	C-RING 20
69	EE39865	WASHER 20X35X1
70	LL41003	THRUST BEARING AXK1104
71	RB12620	INTERNAL GEAR
72	RB12720	D RING
73	RB70699	TIP AXIS A UNIT
74	RB70613	TWIST ASSY
75	RB12622	PLANETARY GEAR
76	RB70642	SUN GEAR UNIT
77	RB12623	WASHER, TWIST AXIS
78	RB70617	TWISTING MOTOR
79	BB40425	BOLT 3X10
80	FF51817	HOLLOW PIN 1817
81	RB70684	MOTOR COVER UNIT
82	EE32104	WASHER 2-3
83	BB41302	BOLT 4X10
86	CC41104	HEX.NUT 1-3
87	FF51710	HOLLOW PIN 1710
88	CC49308	HEX. NUT M4
89	RB12959	SPECIFICATION LABEL
90	CC49508	NUT M5
91	FF51714	HOLLOW PIN 1714
92	RB81360	FRAME L ASSY (401T)

93	RB81359	MAIN CIRCUIT BOARD UNIT (401T)
94	RB12687	LABEL
95	ZS00034	MAIN SWITCH (441)
97	RB70843	SWITCH BASE ASSY (401T)
98	RB70697	ELECTRODE UNIT
99	AA05952	SCREW 2.6X10
100	RB12674	MAGAZINE CAP
101	RB70640	SENSOR CURCUIT BOARD F UNIT
102	RB12673	MAGAZINE STOPPER SHAFT
103	KK24186	COMPRESSION SPRING 4186
104	RB12684	WIRE OPERATION LABEL
105	JJ21601	C-RING 8
106	FF52116	HOLLOW PIN 2116
107	RB81296	MAGAZINE UNIT
109	EE39609	RUBBER WASHER 1.8X6X2
110	KK34098	TORSION SPRING 4098
111	FF43419	STEP PIN 3419
112	RB12715	MAGAZINE PLATE
113	RB12671	ROTARY SHAFT
114	RB12672	MAGAZINE STOPPER
115	FF21629	SPRING PIN 2X14
116	RB81361	MAGAZINE COVER ASSY
117	RB81299	MAGAZINE COVER UNIT
118	AA05560	SCREW 3X12 CF
119	HH14169	O-RING AS 568-003 1A
120	EE39860	WASHER 5X2.6X1
121	FF51713	HOLLOW PIN 1713
122	RB12829	NOTICE LABEL
123	KK34097	TORSION SPRING 4097
124	RB12669	REEL PRESS
125	FF31639	PARALELL PIN 1639
126	RB70641	SENSOR CURCUIT BOARD G UNIT
127	AA31724	SCREW 2X8
128	RB12667	MAGAZINE COVER CAP
129	RB12911	401T-E LABEL
130	RB12639	CURL GUIDE B
131	RB70864	CURL GUIDE A1 UNIT
132	FF52121	HOLLOW PIN 2121
133	RB70666	WIRE GUDE B UNIT
134	RB12915	CURL GUIDE SHAFT
135	KK34102	TORSION SPRING 4102
136	RB12916	ARM C
137	BB40810	BOLT 3X16
138	RB12894	FIXED CUTTER
139	RB12723	CON-ROD GUIDE B

140	RB12721	CON-ROD COVER
141	RB12722	CON-ROD GUIDE A
142	RB12643	CUTTER
143	RB12724	CON-ROD BASE
144	FF51711	HOLLOW PIN 1711
145	BB40717	BOLT 3X20 CF
146	RB70682	ARM B UNIT
147	EE39857	WASHER 3.2X11X1
148	RB12637	ARM B
149	EE39858	WASHER 3.2X7X1
150	RB12645	CUTTER LEVER A
151	RB12648	CUTTER PIN
152	RB70683	CUTTER LEVER A UNIT
153	RB12647	CUTTER SHAFT
154	RB12649	CON-ROD
155	RB12646	CUTTER LEVER B
156	JJ10509	E-RING 4 CF
157	KK33398	TORSION SPRING 3398
158	RB70863	ARM B ASSY
161	RB12815	WINDOW
166	RB12665	RELEASE BUTTON BASE
167	RB12664	RELEASE STOPPER
168	RB12662	RELEASE BUTTON
169	KK33401	TORSION SPRING 3401
170	RB12725	SPONGE
172	RB12897	WARNING LABEL
173	RB12661	BRAND PLATE
174	BB40708	BOLT 5X25
175	BB40716	BOLT 3X6 CF
176	RB70848	FRAME R ASSY (401T)
177	RB70616	JAW BASE ASSY
178	RB12627	JAW B
179	KK33249	TORSION SPRING 3249
180	RB12625	JAW BASE
181	FF41864	STEP PIN 1864
182	RB12626	JAW A
184	BB40404	HEX. BOLT 5X16 N10016
185	RB70879	HARNESS UNIT
186	BB41716	BOLT 3X4
187	BB41717	BOLT 4X8
188	FF31651	PARALELL PIN 1651
189	KK24198	COMPRESSION SPRING 4198
190	RB12919	COVER (401T)
191	RB12929	CONTACT COVER L
192	RB12930	CONTACT COVER R

193	RB12935	LINK SPRING
194	RB12936	ROTATING PIN
195	RB70839	CONTACT SWITCH L ASSY
196	RB70840	CONTACT SWITCH R ASSY
197	RB70868	CURL GUIDE LINK UNIT
200	BB40849	BOLT 4X6
204	RB81357	CURL GUIDE LINK ASSY
206	FF31652	PARALELL PIN 1652
207	FF31653	PARALELL PIN 1653
208	FF41878	STEP PIN 1878
209	JJ10109	E-RING 2
210	JJ10512	E-RING 5
211	RB12912	LABEL
212	RB12946	HANDLE BASE R
213	RB12947	HANDLE BASE COVER
214	RB70844	HANDLE BASE L UNIT
215	RB70895	HANDLE PIVOT UNIT
219	RB12949	HANDLE BASE SHAFT
220	RB12950	HANDLE BASE PLATE
221	RB81365	HANDLE ASSY
222	AA05589	SCREW 3X16
223	BB40715	BOLT 3X12
225	RB12910	PIPE LABEL
226	RB12945	SQUARE PIPE
227	RB70900	LATCH UNIT
228	AA05572	SCREW 3X8
229	BB41408	BUTTON SCREW 5X8
230	RB12900	MAGAZINE STAY R
231	RB12902	SEALING RUBBER
232	RB70891	MAGAZINE STAY L
233	BB41408	BUTTON SCREW 5X8
234	RB12905	BODY SHAFT
235	RB12906	BODY PLATE
236	RB70850	SENSOR UNIT
237	FF31723	PARALELL PIN 1723
238	FF41879	STEP PIN 1879
239	JJ10511	E-RING 3.2 CF
240	RB70845	ARM ATTACHMENT ASSY(LONG)
241	RB70907	ARM ATTACHMENT ASSY(SHORT)
242	RB70875	CONTACT SENSOR
	4100750	CARRYING CASE LABEL
	4100751	INSTRUCTION MANUAL
	4102127	SLEEVE
	RB81344	CARRING CASE ASSY