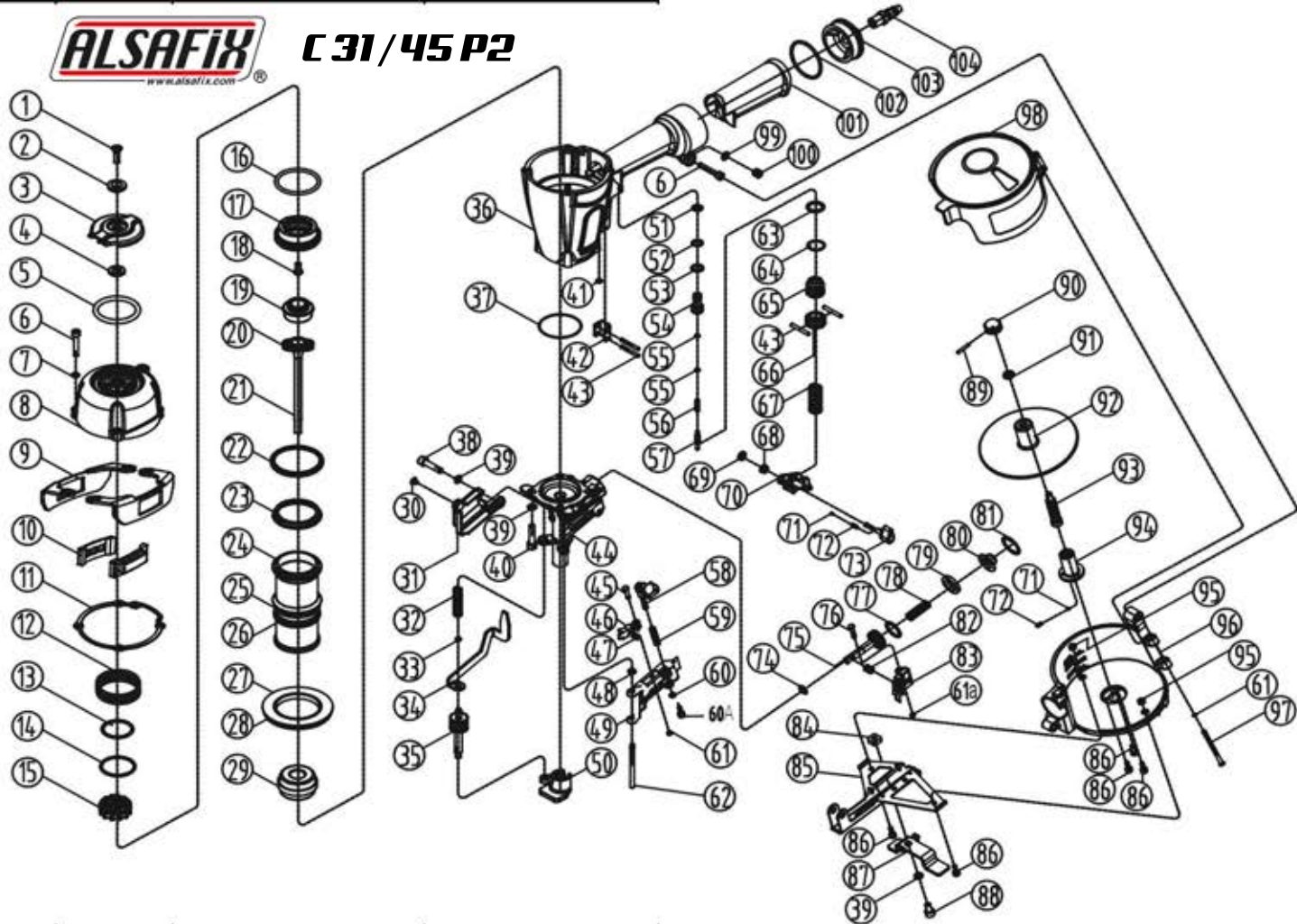


EXPLODED VIEW DRAWING



Repère	Code	Désignation	Français	Allemand	Espagnol	Roumain
1	126C0105	Screw	Vis	Schraube	Tornillo	Surub
2	126C0106	Bushing	Rondelle	Scheibe	Arandela	Saiba
3	126C0107	Exhaust Cover	Couvercle	Deckel	Tapadera	Capac
4	126C0108	Seal	Joint	O-ring	Junta	Garnitura
5	126C0109	Silencer	Silencieux	Schalldämpfer	Silenciador	Silentios
6	126C0110	Screw	Vis	Schraube	Tornillo	Surub
7	126C0111	Spring Washer	Ressort	Feder	Muelle	Arc
8	126C0112	Cylinder Cap	Couvercle	Deckel	Tapadera	Capac
9	126C0113	Protective Piece	Protection	Sicherheit	Proteccion	Sigurante
10	126C0114	Soft Spacer	Entretoise	Abstandshalter	Tirante	Spacer
11	126C0115	Gasket	Joint de tête	Deckelzylinder	Cilindro de la tapa	Cilindru de capac
12	126C0116	Spring	Ressort	Feder	Muelle	Arc
13	126C0117	O-ring 36.3x2.5	Joint	O-ring	Junta	Garnitura
14	126C0118	O-ring 40.2x2.3	Joint	O-ring	Junta	Garnitura
15	126C0119	Valve Seat	Valve	Ventil	Valvula	Valva
16	126C0120	O-ring 51.7*3.5	Joint	O-ring	Junta	Garnitura
17	126C0121	Valve	Valve	Ventil	Valvula	Valva
18	126C0122	Screw	Vis	Schraube	Tornillo	Surub
19	126C0123	Stopped Washer	Rondelle	Scheibe	Arandela	Saiba
20	126C0124	O-ring 43.3x3.5	Joint	O-ring	Junta	Garnitura
21	126C0125	Piston Assembly	Piston	Kolben	Piston	Piston
22	126C0126	Coller	Bague	Ring	Manguito	Inel
23	126C0127	Cylinder Seal	Joint de cylindre	O-ring	Junta	Garnitura
24	126C0128	Cylinder	Cylindre	Zylinder	Cilindro	Cilindru
25	126C0129	O-ring 52.4*2.5	Joint	O-ring	Junta	Garnitura
26	126C0130	O-ring 51.5*3	Joint	O-ring	Junta	Garnitura
27	126C0131	Restrictive Plate	Bague	Ring	Manguito	Inel
28	126C0132	O-ring 67*3	Joint	O-ring	Junta	Garnitura
29	126C0133	Bumper	Amortisseur	Puffer	amortiguador	Amortizor
30	126C0134	Screw	Vis	Schraube	Tornillo	Surub
31	126C0135	Protector	Protection	Sicherheit	Proteccion	Sigurante
32	126C0136	Spring	Ressort	Feder	Muelle	Arc
33	126C0137	O-ring 6.4*1.5	Joint	O-ring	Junta	Garnitura
34	126C0138	Bracket	Sécurité	Sicherung	Seguridad	Siguranta
35	126C0139	Adjuster	Molette	Seilscheibe	Estrella	Roti
36	126C0140	Body	Corps	Gehäuse	Cuerpo	Corp
37	126C0141	O-ring 46x1.3	Joint	O-ring	Junta	Garnitura

38	126C0142	Screw	Vis	Schraube	Tornillo	Surub
39	126C0143	Spring Washer	Ressort	Feder	Muelle	Arc
40	126C0144	Screw	Vis	Schraube	Tornillo	Surub
41	126C0145	O-ring 7.5x1.5	Joint	O-ring	Junta	Garnitura
42	126C0146	Safe Guide	Guide de sécurité	Sicherheitführung	Guia de seguridad	Guidaj de sigurante
43	126C0147	Spring Pin	Goupille	Stift	Clavija	Zavor
44	126C0148	Nose	Nez	Nase	Morro	Nas
45	126C0149	Stopped Hook Pin	Axe	Achse	Eje	Axa
46	126C0150	Stopped Hook	Griffe	Greifer	Zarpa	Claw
47	126C0151	Spring	Ressort	Feder	Muelle	Arc
48	126C0152	Washer	Rondelle	Scheibe	Arandela	Saiba
49	126C0153	Latch	Loquet	Verschluss	Picaporte	Clips
50	126C0154	Safe Bracket	Palpeur			
51	126C0155	O-ring 9.5*1.9	Joint	o-ring	Junta	Garnitura
52	126C0156	O-ring 10.3*1.9	Joint	o-ring	Junta	Garnitura
53	126C0157	O-ring 12.8x1.9	Joint	O-ring	Junta	Garnitura
54	126C0158	Trigger Valve Seat	Servo -Commande	Ventil	Cabeza de la valvula	Cap de valva
55	126C0159	O-ring 5.5*1.5	Joint	O-ring	Junta	Garnitura
56	126C0160	Spring	Ressort	Feder	Muelle	Arc
57	126C0161	Trigger Valve Stem	Tige	Stängel	Varilla	Regleta
58	126C0162	Handle	Poignée	Griff	Picaporte	Mânui
59	126C0163	Spring	Ressort	Feder	Muelle	Arc
60	126C0164	Washer	Rondelle	Scheibe	Arandela	Saiba
60A	126C0165	Screw	Vis	Schraube	Tornillo	Surub
61	126C0166	Washer	Rondelle	Scheibe	Arandela	Saiba
61a	126C0167	Washer	Rondelle	Scheibe	Arandela	Saiba
62	126C0168	Pin	Goupille	Stift	Clavija	Zavor
63	126C0169	O-ring 20.3*2.5	Joint	O-ring	Junta	Garnitura
64	126C0170	O-ring 20.3*1.5	Joint	O-ring	Junta	Garnitura
65	126C0171	Trigger Valve Guide A	Servo - Commande A	Ventil A	Cabeza de la valvula A	Cap de valva A
66	126C0172	Trigger Valve Guide B	Servo - Commande B	Ventil B	Cabeza de la valvula B	Cap de valva B
67	126C0173	Trigger Spring	Ressort	Feder	Muelle	Arc
68	126C0174	Rotating Shaft Bushing	Rondelle	Scheibe	Arandela	Saiba
69	126C0175	Locking Washer	Rondelle	Scheibe	Arandela	Saiba
70	126C0176	Trigger Assembly	Gâchette	Drücker	Gatillo	Opritor
71	126C0177	Steel Ball	Bille	Ball	Bolita	Minge
72	126C0178	Spring	Ressort	Feder	Muelle	Arc
73	126C0179	Rotating Shaft Pin	Goupille	Stift	Clavija	Zavor
74	126C0180	O-ring 11.6*1.9	Joint	O-ring	Junta	Garnitura
75	126C0181	Piston	Piston	Kolben	Piston	Piston
76	126C0182	Feed Hook Pin	Axe	Achse	Eje	Axa
77	126C0183	O-ring 21.6*2.4	Joint	O-ring	Junta	Garnitura
78	126C0184	Spring	Ressort	Feder	Muelle	Arc
79	126C0185	Piston Bumper	Amortisseur	Puffer	amortiguador	Arnotizor
80	126C0186	Cover	Couvercle	Deckel	Tapadera	Capac
81	126C0187	Locking Washer	Rondelle	Scheibe	Arandela	Saiba
82	126C0188	Torsion Spring	Ressort	Feder	Muelle	Capac
83	126C0189	Feed Hook	Griffe	Greifer	Zarpa	Claw
84	126C0190	Joining	Joint	O-ring	Junta	Garnitura
85	126C0191	Guide Rack	Guide	Führer	Guia de seguridad	Ghidaj
86	126C0192	Screw	Vis	Schraube	Tornillo	Surub
87	126C0193	Support	Support	Support	Soporte	Echer
88	126C0194	Screw	Vis	Schraube	Tornillo	Surub
89	126C0195	Spring Pin	Ressort	Feder	Muelle	Arc
90	126C0196	Adjuster Knob	Arrêt	Stoppen	Parada	Opritor
91	126C0197	Washer	Rondelle	Scheibe	Arandela	Saiba
92	126C0198	Block Plate	Plateau			
93	126C0199	Adjuster Stem	Ressort	Feder	Muelle	Arc
94	126C0200	Adjuster Bushing	Support	Support	Soporte	Echer
95	126C0201	Nut	Ecrou	Mutter	Tuerca	Piulita
96	126C0202	Lower Nail Housing	Magasin	Magazin	Almacen	Magazie
97	126C0203	Pin	Goupille	Stift	Clavija	Zavor
98	126C0204	Upper Nail Housing	Couvercle	Deckel	Tapadera	Capac
99	126C0205	Washer	Rondelle	Scheibe	Arandela	Saiba
100	126C0206	Nut	Ecrou	Mutter	Tuerca	Piulita
101	126C0207	Soft Grip Sleeve	Guide	Führer	Guia de seguridad	Ghidaj
102	126C0208	O-ring 48.8x2.5	Joint	O-ring	Junta	Garnitura
103	126C0209	End Cap	Couvercle	Deckel	Tapadera	Capac
104	126C0210	Air Plug	Raccord	Anschluss	Empalme	Racord