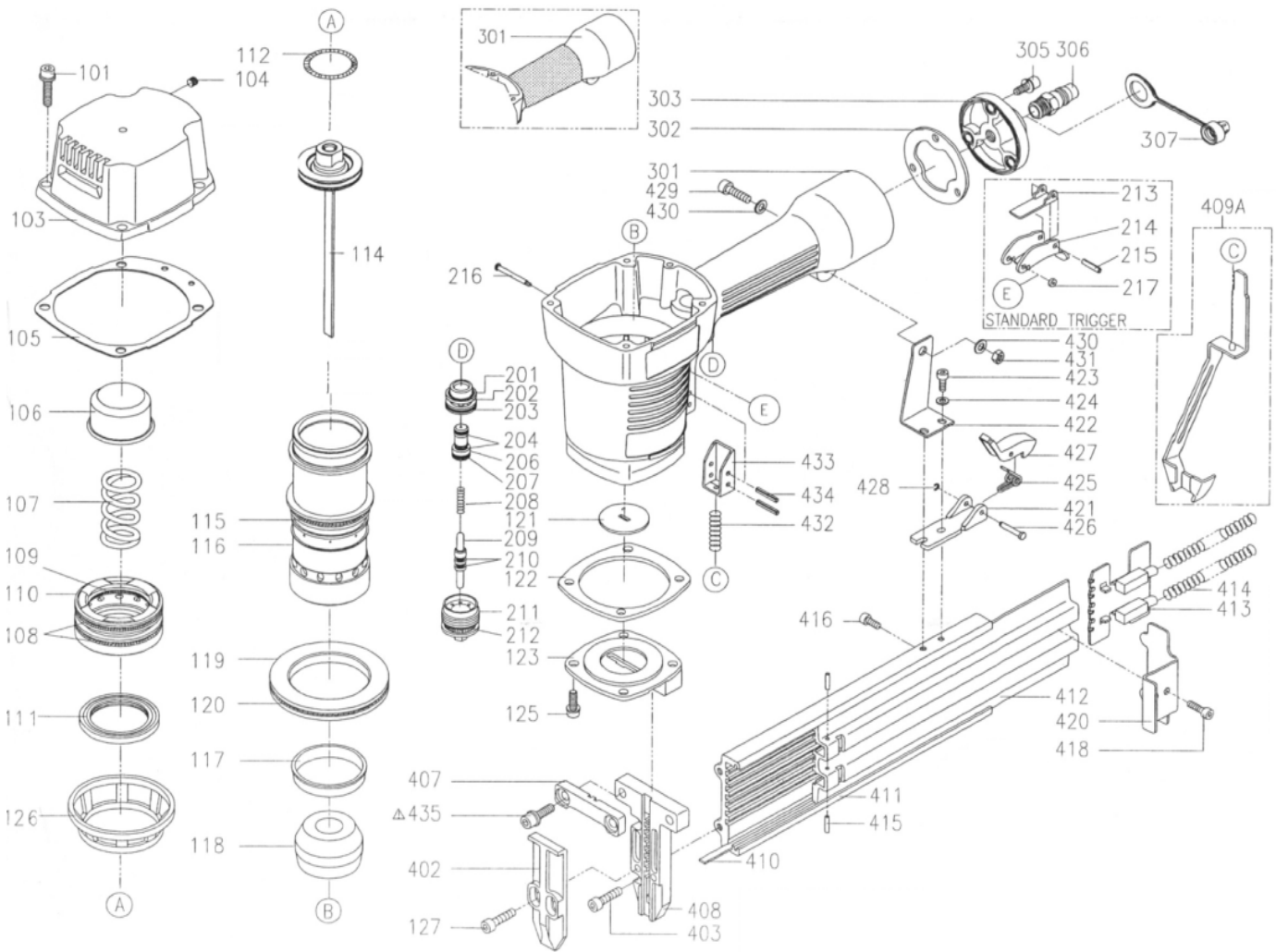


# T 64 P1



Repère	Code	Français	English	Deutsch	Español	Romana
101	12B00681	Vis 6 x 25 mm	screw	Schraube	Tornillo	Surub
103	12B01176	couvercle	Cover	Deckel	tapadera	Capac
104	12B00205	vis chc	screw	Schraube	Tornillo	Surub
105	12B01163	joint de cylindre	O-ring	O-ring	Junta	Garnitura
106	12B01160	joint	O-ring	O-ring	Junta	Garnitura
107	12B01172	ressort	Spring	Feder	Muelle	Arc
108	12B01091	joint	O-ring	O-ring	Junta	Garnitura
109	12B01092	joint	O-ring	O-ring	Junta	Garnitura
110	12B00989	valve	Valve	Ventil	Valvula	Valva
111	12B00990	Bague	Ring	Ring	Manguito	Inel
112	12B00210	joint	O-ring	O-ring	Junta	Garnitura
114	12B01192	piston	Piston	Kolben	Piston	Piston
115	12B01090	joint	O-ring	O-ring	Junta	Garnitura
116	12B01180	cylindre	cylinder	Zylinder	cilindro	Cilindru
117	12B00270	Joint de retour	O-ring	O-ring	Junta	Garnitura
118	12B01178	amortisseur	Bumper	Puffer	amortiguador	Amortizor
119	12B00930	bague	Ring	Ring	Manguito	Inel
120	12B01093	joint	O-ring	O-ring	Junta	Garnitura
121	12B01195	guide	guide	Führer	Guia	Ghidaj
122	12B01165	joint plat	O-ring	O-ring	Junta	Garnitura
123	12B01179	base	base	Base	Base	Baza
125	12B01152	kit vis	Screw kit	Schraube set	Tornillo kit	clips
126	12B00955	Bague	Ring	Ring	Manguito	Inel
127	12B00221	vis chc	screw	Schraube	Tornillo	Surub
128	12B00173	rondelle	Ring	Scheibe	Arandela	Saiba
129	12B00208	joint	O-ring	O-ring	Junta	Garnitura
130	12B00998	Déflecteur	deflector	Leitblech	Deflector	Deflector
131	12B00174	anneau	Ring	Scheibe	Arandela	Saiba
132	12B01001	silencieux	Silencer	Schalldampfer	Silenciador	Silentios
133	12B00219	bille	Ball	Ball	Bolita	Minge
134	12B00175	ressort de position	Spring	Feder	Muelle	Arc

135	12B00479	bouchon	Cover	Deckel	tapadera	Capac
136	12B00999	Rondelle	Ring	Scheibe	Arandela	Saiba
201	12B00035	joint	O-ring	O-ring	Junta	Garnitura
202	12B00166	servo commande	Trigger valve head	Ventil	Cabeza de la valvula	Cap de valva
203	12B00211	joint	O-ring	O-ring	Junta	Garnitura
204	12B00212	joint	O-ring	O-ring	Junta	Garnitura
206	12B00167	Servo commande	Trigger valve head	Ventil	Cabeza de la valvula	Cap de valva
207	12B00209	joint	O-ring	O-ring	Junta	Garnitura
208	12B00168	ressort	Spring	Feder	Muelle	Arc
209	12B00169	Tige de servo cmde	Plunger	Sauger	Ventosa	Ventuza
210	12B00086	joint	O-ring	O-ring	Junta	Garnitura
211	12B00170	Couvercle	Cover	Deckel	tapadera	Capac
212	12B00213	joint	O-ring	O-ring	Junta	Garnitura
213	12B00171	déclencheur gâchette	Secondary trigger	Zweite Auslöser	Parada de secundaria	Opritor secundor
214	12B00172	gâchette	Trigger	Drücker	Gatillo	Opritor
215	12B00220	Goupille 3 x 16 mm	Pin	Stift	Clavija	Zavor
216	12B00647	pivot	Pivot	Drehachse	Pivote	Pivot
217	12B00096	circilps	circlips	Sicherungsring	Tuerca	Piulita
301	12B01174	corps	Body	Gehäuse	Cuerpo	Corp
302	12B01168	rondelle	Ring	Scheibe	Arandela	Saiba
303	12B00958	couvercle	Cover	Deckel	tapadera	Capac
305	12B00065	kit vis	Screw kit	Schraube set	Tornillo kit	clips
306	12B00019	raccord	Air plug	Anschluss	Empalme	Racord
307	12B00020	protection plastique	Plastic protection	Kunststoffschrürze	Proteccion plastico	Protectile
402	12B01181	plaque avant A	Drive guide cover A	schalllatt A	placa A	placa A
403	12B00199	vis chc	screw	Schraube	Tornillo	Surub
407	12B01182	plaque avant B	Drive guide cover B	schalllatt B	placa B	placa B
408	12B01194	guide	guide	Führer	Guia	Ghidaj
409A	12B01193	sécurité	Safety	Sicherung	Seguridad	Siguranta
410	12B01183	barre	Rod	Barre	Barra	Bar
411	12B01196	magasin A	Magazine A	Magazin A	Almacen A	Magazie A
412	12B01197	magasin B	Magazine B	Magazin B	Recámara	Magazie B
413	12B01184	guide	guide	Führer	Guia	Ghidaj
414	12B00952	ressort	Spring	Feder	Muelle	Arc
415	12B01199	Goupille	Pin	Stift	Clavija	Zavor
416	12B00148	vis chc	screw	Schraube	Tornillo	Surub
418	12B00150	vis chc	screw	Schraube	Tornillo	Surub
420	12B01185	socle	rear plate	socket	Zocalò	Bazà
421	12B01189	goupille	Pin	Stift	Clavija	Zavor
422	12B01186	support	Support	Support	Soporte	Echer
423	12B00149	vis chc	screw	Schraube	Tornillo	Surub
424	12B01198	rondelle plate	Ring	Scheibe	Arandela	Saiba
425	12B01187	Ressort	Spring	Feder	Muelle	Arc
426	12B01190	locquet	Latch	locquet	Picaporte	Clips
427	12B01188	goupille	Pin	Stift	Clavija	Zavor
428	12B00072	circlips	circlips	Sicherungsring	Tuerca	Piulita
429	12B01175	vis	screw	Schraube	Tornillo	Surub
430	12B00206	Rondelle	Ring	Scheibe	Arandela	Saiba
431	12B00078	écrou	Screw nut	Mutter	Tuerca	Piulita
432	12B01139	ressort de sécurité	Safety spring	sicherungsFeder	Muelle de seguridad	Arc de siguranta
433	12B01191	guide de sécurité	Safety guide	Sicherheitfuhung	Guia de seguridad	Guidaj de sigurante
434	12B00139	Goupille 3 x 25 mm	Pin	Stift	Clavija	Zavor
435	12B00316	kit vis	Screw kit	Schraube set	Tornillo kit	clips

**Caractéristique / Feature / Charakteristik / característica / caracteristicà**

<b>T 64 P1</b>	Modèle	Model	Gerät	Modelo	Model
<b>Type / tip</b>	Cloueur pneumatique	pneumatic nailer	Pneumatisch Nagler	Clavadora neumatica	Masina i pneumatice
<b>325 x 70 x 250</b>	Dimension	Size	Abmessung	Medida	Dimensuini
<b>2,55 kg</b>	Poids	Weight	Gewicht	Peso	Greutate
<b>4-8 Bar</b>	Pression normale	Normal pressure	Normal druck	Presion normal	Presiune normal
<b>1,15 l / coup</b>	Consommation	Consumption	Verbrauch	Consumo	Consumare
<b>T 15 - 64 mm</b>	Pointes	Nails	Nagel	Puntas	Varfuri