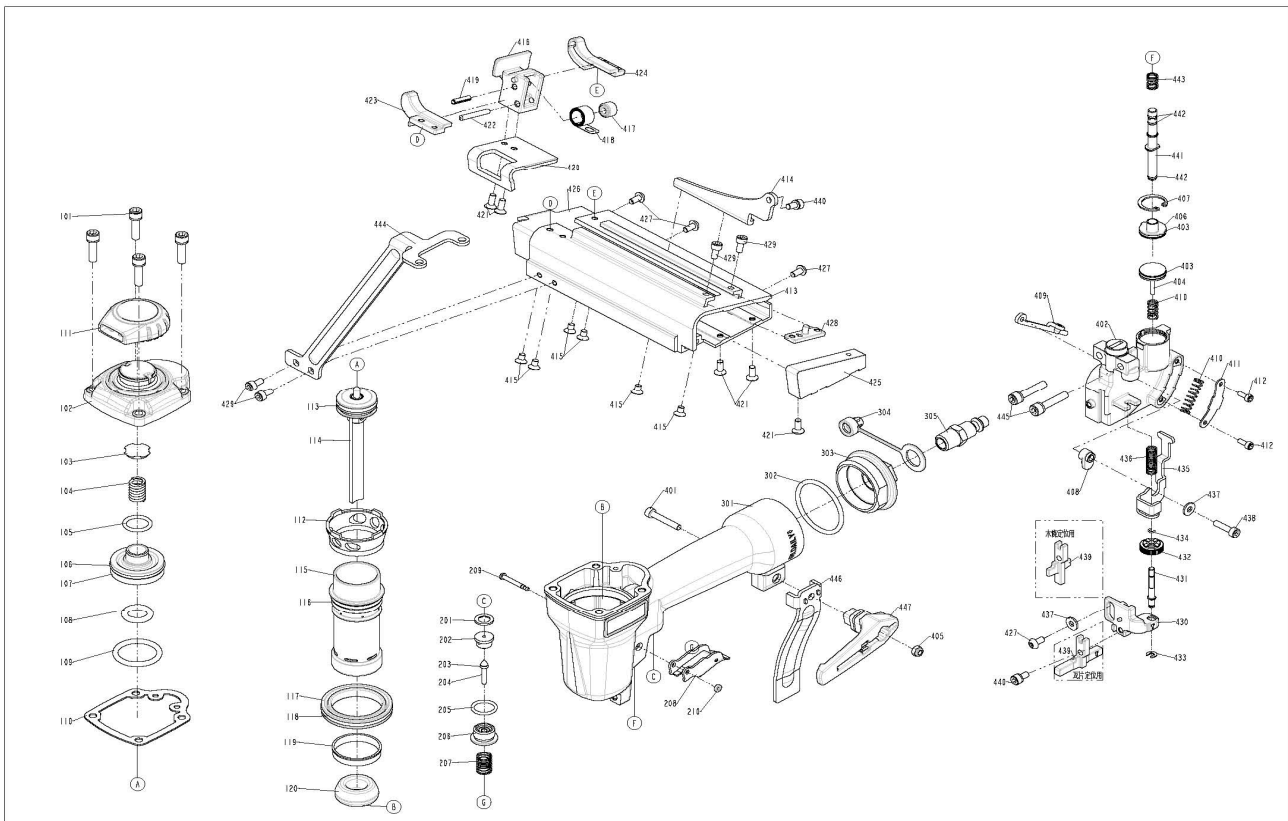


# Agrafeuse Crochet d'ardoise



Repère	Code	Français	English	Deutsch	Español	Romana
101	12B00065	Vis	Bolt	Schraube	Tornillo	Surub
102	12B02883	Couvercle	Cap	Deckel	tapadera	Capac
103	12B02884	Joint	Seal	O-ring	Junta	Garnitura
104	12B02885	Ressort	Compression spring	Feder	Muelle	Arc
105	12B02886	Joint	O-ring	O-ring	Junta	Garnitura
106	12B00037	Joint	O-ring	O-ring	Junta	Garnitura
107	12B02887	Valve	Valve piston	Ventil	Valvula	Valva
108	12B00117	Joint	O-ring	O-ring	Junta	Garnitura
109	12B02888	Joint	O-ring	O-ring	Junta	Garnitura
110	12B02889	Joint	Packing	O-ring	Junta	Garnitura
111	12B02890	Défecteur	Deflector	Leitblech	Deflector	Deflector
112	12B02891	Bague	Collar	Ring	Manguito	Inel
113	12B02892	Joint	O-ring	O-ring	Junta	Garnitura
114	12B02893	Piston	Driver unit	Kolben	Piston	Piston
115	12B02894	Cylindre	Cylinder	Zylinder	cilindro	Cilindru
116	12B02895	Joint	O-ring	O-ring	Junta	Garnitura
117	12B02896	Bague	Cylinder spacer	Ring	Manguito	Inel
118	12B00869	Joint	O-ring	O-ring	Junta	Garnitura
119	12B00030	Joint	O-ring	O-ring	Junta	Garnitura
120	12B02897	Amortisseur	Bumper	Puffer	amortiguador	Amortizor
201	12B00907	Joint	Seal	O-ring	Junta	Garnitura
202	12B00908	Tête servo-commande	Trigger valve head	Sauger	Ventosa	Ventuză
203	12B01086	Joint	O-ring	O-ring	Junta	Garnitura
204	12B00909	Tige servo-commande	Trigger valve stem	Sauger	Ventosa	Ventuză
205	12B00208	Joint	O-ring	O-ring	Junta	Garnitura
206	12B02898	Couvercle servo-cmde	Plunger cap	Ventilsdeckel	Cabeza de la valvula	Cap de valva
207	12B02899	Ressort	Spring	Feder	Muelle	Arc
208	12B02900	Gâchette	Trigger unit	Drücker	Gatillo	Opritor
209	12B02901	Goupille	Pin	Stift	Clavija	Zavor
210	12B00096	Anneau de retenue	Urethane retainer	Scheibe	Arandela	Saiba
211	12B02902	Tige	Discharge sheet	Stängel	Varilla	Regleta
212	12B01415	Joint	O-ring	O-ring	Junta	Garnitura
213	12B02903	Joint	O-ring	O-ring	Junta	Garnitura
214	12B02904	Ressort	Spring	Feder	Muelle	Arc
301	12B02905	Corps	Gun body unit	Gehäuse	Cuerpo	Corp
302	12B00040	Joint	O-ring	O-ring	Junta	Garnitura
303	12B00914	Couvercle	End cap	Deckel	tapadera	Capac
304	12B00020	Bouchon	Dusty cover	Deckel	tapadera	Capac
305	T023901	Raccord	Air plug	Anschluss	Empalme	Racord

401	12B02906	Joint	O-ring	O-ring	Junta	Garnitura
402	12B02907	Nez	Nose piece	Nase	Morro	Nas
403	12B02908	Joint	O-ring	O-ring	Junta	Garnitura
404	12B02909	Piston	Feed piston	Kolben	Piston	Piston
405	12B02910	Amortisseur	Collar	Puffer	amortiguador	Amortizor
406	12B02911	Couvercle	Feed piston cap	Deckel	tapadera	Capac
407	12B02411	Circlips	C-ring	Sicherungsring	Tuerca	Piulita
408	12B02912	Entretoise	Fixed support	Abstandshalter	Tirante	Spacer
409	12B02913	Levier	Lever unit	Hebel	Palanca	Impagatot
410	12B02914	Ressort	Spring	Feder	Muelle	Arc
411	12B02915	Couvercle	Nail guide cover	Deckel	tapadera	Capac
412	12B02916	Vis	Bolt	Schraube	Tornillo	Surub
413	12B02917	Magasin B	Magazine B	Magazin B	Recámara	Magazie B
414	12B02918	Support	Guide cover	Support	Soporte	Echer
415	12B02919	Vis	Screw	Schraube	Tornillo	Surub
416	12B02920	Levier du poussoir	Pin handle	Hebel	Palanca	Impagatot
417	12B02921	Elément roulant	Rolling element	Rollendes material	Pieza rodando	material rulant
418	12B02922	Ressort	Spring	Feder	Muelle	Arc
419	12B02923	Goupille	Pin	Stift	Clavija	Zavor
420	12B02924	Poussoir	Pusher	Ausloser	pulsador	secundor
421	12B01699	Vis	Screw	Schraube	Tornillo	Surub
422	12B01012	Goupille	Pin	Stift	Clavija	Zavor
423	12B02925	Guide A	Guide slideway A	Führer A	Guia A	Ghidaj A
424	12B02926	Guide B	Guide slideway B	FührerB	Guia B	Ghidaj B
425	12B02927	Couvercle Magasin	Pusher	Deckel	tapadera	Capac
426	12B02928	Magasin A	Magazine A	Magazin A	Almacen A	Magazie A
427	12B02929	Vis	Bolt	Schraube	Tornillo	Surub
428	12B02930	Butée	Anchor block			
429	12B02728	Vis	Bolt	Schraube	Tornillo	Surub
430	12B02931	Sécurité A	Safety A	Sicherungeinheit A	Unidad de seguridad	Sigurante
431	12B02932	Sécurité	Safety	Sicherungeinheit	Unidad de seguridad	Sigurante
432	12B00831	Molette d'ajustement	Adjust axie	Achseanpassung	Eje de Ajuste	Axa de ajustaje
433	12B00056	Circlips	C-ring	Sicherungsring	Tuerca	Piulita
434	12B00059	Circlips	C-ring	Sicherungsring	Tuerca	Piulita
435	12B02933	Sécurité B	Safety B	SicherungeinheitB	Unidad de seguridad	Sigurante
436	12B00447	Ressort	Spring	Feder	Muelle	Arc
437	12B01076	Rondelle	Flat washer	Scheibe	Arandela	Saiba
438	12B02934	Vis	Bolt	Schraube	Tornillo	Surub
439	12B02935	Palpeur sécurité	Safety driver guide	Sicherheitfuhung	Guia de seguridad	Guidaj de sigurante
439	12B02936	Palpeur sécurité B	Safety driver guide B	Sicherheitfuhung	Guia de seguridad	Guidaj de sigurante
440	12B00315	Goupille	Bolt	Stift	Clavija	Zavor
441	12B02937	Vis	Bolt	Schraube	Tornillo	Surub
442	12B02490	Ecrou	Nut	Mutter	Tuerca	Piulita
443	12B02938	Vis	Bolt	Schraube	Tornillo	Surub
444	12B02939	Pièce de liaison	Positionning sheet	Stutzen	pieza de conexión	piesă de conectare
445	12B02844	Vis	Bolt	Schraube	Tornillo	Surub
446	12B02940	Guide	Guide	Führer	Guia	Ghidaj
447	12B02791	Crochet	Spring	Haken	Gancho	Carlig