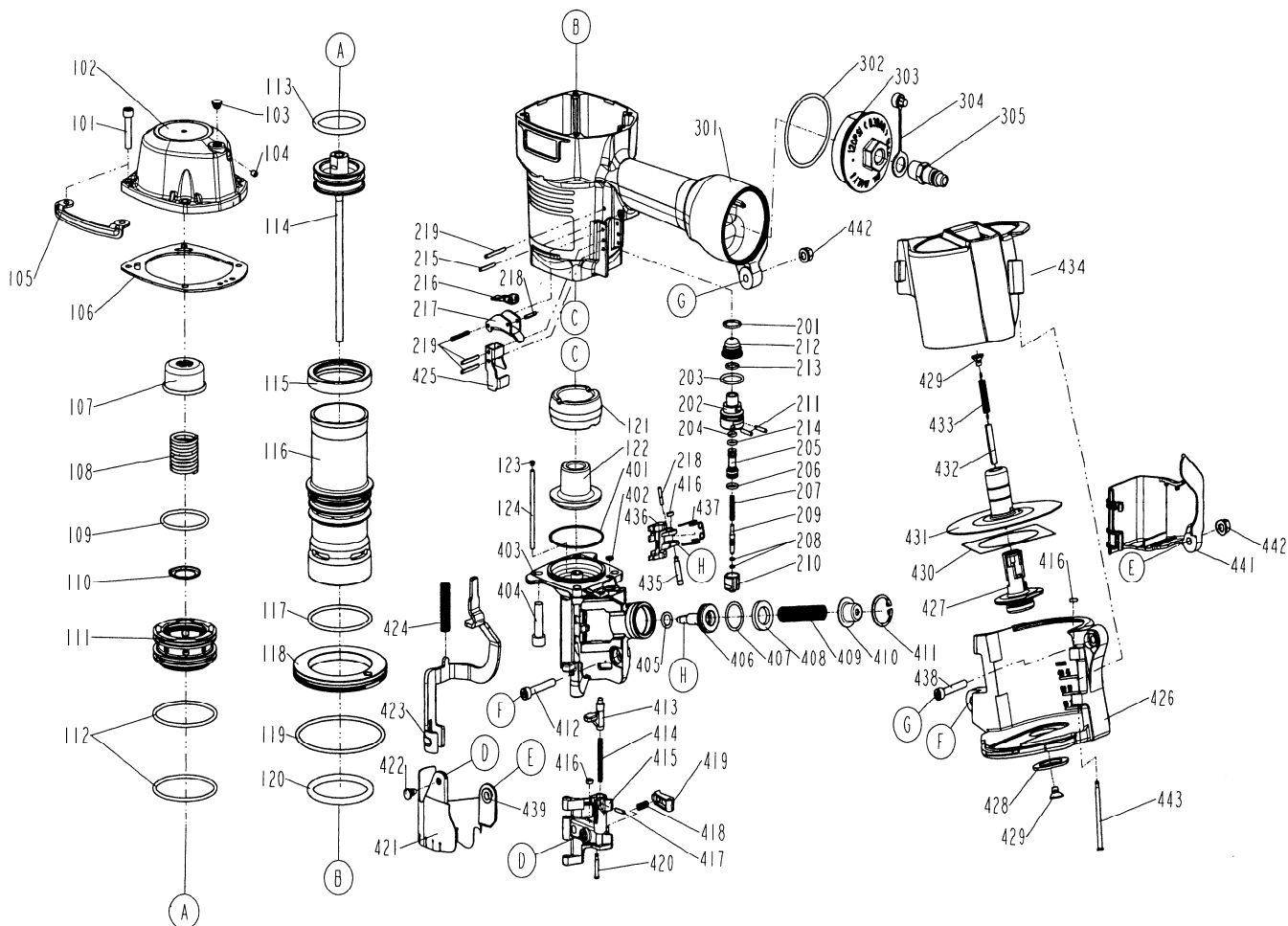


C 29/70



Repère	Code	Français	English	Deutsch	Español	Romana
101	12B01960	Vis	screw	Schraube	Tornillo	Surub
102	12B01945	Tête	Cap	Deckel	Tapa	Capac
103	12B00479	Obturbateur	Air valve	Verschluss	Obturbador	Obturbator
104	12B00205	Vis	screw	Schraube	Tornillo	Surub
105	12B01871	guide	Driver unit	Führer	Guia	Ghidaj
106	12B00570	joint de tête	Cylinder cap seal	Deckelzylinder	Cilindro de la tapa	Cilindru de capac
107	12B01947	joint	O-ring	O-ring	Junta	Garnitura
108	12B00667	ressort	Spring	Feder	Muelle	Arc
109	12B00751	joint	O-ring	O-ring	Junta	Garnitura
110	12B01210	rondelle	Ring	Scheibe	Arandela	Saiba
111	12B01942	Valve de piston	Piston valve	Kolbenventil	Valvula del piston	Valva Pistonului
112	12B00562	joint	O-ring	O-ring	Junta	Garnitura
113	12B01879	joint	O-ring	O-ring	Junta	Garnitura
114	12B01899	guide	Driver unit	Führer	Guia	Ghidaj
115	12B01872	Bague	Collar	Ring	Manguito	Inel
116	12B01908	cylindre	cylinder	Zylinder	cilindro	Cilindru
117	12B00684	joint	O-ring	O-ring	Junta	Garnitura
118	12B01848	bague de cylindre	Cylinderring	Zylinder Ring	Manguito de cilindro	Inel de cilindru
119	12B00623	joint	O-ring	O-ring	Junta	Garnitura
120	12B01881	joint	O-ring	O-ring	Junta	Garnitura
121	12B01849	amortisseur	Bumper	Puffer	amortiguador	Amortizor
122	12B01850	amortisseur	Bumper	Puffer	amortiguador	Amortizor
123	12B01860	Couvercle	Cover	Deckel	tapadera	Capac
124	12B01862	pivot	Pivot	Drehachse	Pivote	Pivot
201	12B00556	joint	O-ring	O-ring	Junta	Garnitura
202	12B00532	Couvercle	Cover	Deckel	tapadera	Capac
203	12B00213	joint	O-ring	O-ring	Junta	Garnitura
204	12B00212	joint	O-ring	O-ring	Junta	Garnitura
205	12B00502	servo commande	Trigger valve head	Ventil	Cabeza de la valvula	Cap de valva
206	12B00209	joint	O-ring	O-ring	Junta	Garnitura

C 29/70

207	12B00534	ressort	Spring	Feder	Muelle	Arc
208	12B00561	joint	O-ring	O-ring	Junta	Garnitura
209	12B00533	Tige de servo cde	Plunger	Sauger	Ventosa	Ventuza
210	12B00531	servo commande	Trigger valve head	Ventil	Cabeza de la valvula	Cap de valva
211	12B00496	pivot	Pivot	Drehachse	Pivote	Pivot
212	12B00535	couvre servo cmde	Trigger valve cover	Ventilsdeckel	Cabeza de la valvula	Cap de valva
213	12B00557	joint	O-ring	O-ring	Junta	Garnitura
214	12B00565	joint	O-ring	O-ring	Junta	Garnitura
215	12B01876	Goupille	Pin	Stift	Clavija	Zavor
216	12B01907	déclenche gâchette	Secondary trigger	Zweite Ausloser	Parada de secund	Opritor secundor
217	12B01906	gâchette	Trigger	Drücker	Gatillo	Opritor
218	12B01105	Goupille	Pin	Stift	Clavija	Zavor
219	12B00551	Goupille	Pin	Stift	Clavija	Zavor
301	12B01842	corps	Body	Gehäuse	Cuerpo	Corp
302	12B00555	joint	O-ring	O-ring	Junta	Garnitura
303	12B01305	Couvercle	Cover	Deckel	tapadera	Capac
304	12B01821	protection plastique	Plastic protection	Kunststoffschürze	Proteccion plastico	Protectile
305	12B00019	raccord	Air plug	Anschluss	Empalme	Racord
401	12B01880	joint	O-ring	O-ring	Junta	Garnitura
402	12B01878	joint	O-ring	O-ring	Junta	Garnitura
403	12B01949	nez	Nose	Nase	Morro	Nas
404	12B01874	Vis	screw	Schraube	Tornillo	Surub
405	12B00553	joint	O-ring	O-ring	Junta	Garnitura
406	12B01936	Piston	Piston	Kolben	Piston	Piston
407	12B00619	joint	O-ring	O-ring	Junta	Garnitura
408	12B00589	amortisseur	Bumper	Puffer	amortiguador	Amortizor
409	12B01939	ressort	Spring	Feder	Muelle	Arc
410	12B01938	Couvercle	Cover	Deckel	tapadera	Capac
411	12B00625	amortisseur	Bumper	Puffer	amortiguador	Amortizor
412	12B00548	Vis	screw	Schraube	Tornillo	Surub
413	12B01845	levier	Lever	Hebel	Palanca	Impagatot
414	12B00334	ressort	Spring	Feder	Muelle	Arc
415	12B01933	porte	Door	Gatter	Puerta	Usa
416	12B00516	anneau	Ring	Scheibe	Arandela	Saiba
417	12B00139	ressort	Spring	Feder	Muelle	Arc
418	12B00501	ressort	Spring	Feder	Muelle	Arc
419	12B01237	arrêt	Shaft	Stoppen	Parada	Opritor
420	12B01859	Goupille	Pin	Stift	Clavija	Zavor
421	12B01951	protection	Protection	Sicherheit	Proteccion	Sigurante
422	12B00504	Goupille	Pin	Stift	Clavija	Zavor
423	12B01914	Sécurité	Safety	Sicherung	Seguridad	Siguranta
424	12B01852	Ressort de sécurité	Safety spring	sicherungsFeder	Muelle de seguridad	Arc de siguranta
425	12B01917	guide sécurité	Safety guide	Sicherheitfuhung	Guia de seguridad	Guidaj de sigurante
426	12B01923	magasin	Magazine	Magazin	Almacen	Magazie
427	12B01929	axe d'ajustement	Adjust axie	Achseanpassung	Eje de Ajuste	Axa de ajustaje
428	12B01961	joint	O-ring	O-ring	Junta	Garnitura
429	12B00505	socle	rear plate	sockel	Zocalò	Bazà
430	12B01954	plaque avant	Drive guide cover	schaltlatt	placa	placa
431	12B01927	entretoise	Strut	Abstandshalter	Tirante	Spacer
432	12B01953	entretoise	Strut	Abstandshalter	Tirante	Spacer
433	12B01913	ressort	Spring	Feder	Muelle	Arc
434	12B01925	magasin	Magazine	Magazin	Almacen	Magazie
435	12B00523	Goupille	Pin	Stift	Clavija	Zavor
436	12B01903	Chargeur	Loader	Auflader	Cargador	Incarcator
437	12B01905	Ressort chargeur	Loader spring	Aufladerfeder	Muelle del cargador	Incarcator arc
438	12B00547	Vis	screw	Schraube	Tornillo	Surub
439	12B00517	protection	Protection	Sicherheit	Proteccion	Sigurante
441	12B01920	Couvercle	Cover	Deckel	tapadera	Capac
442	12B00567	écrou	Screw nut	Mutter	Tuerca	Piulita
443	12B00605	Goupille	Pin	Stift	Clavija	Zavor