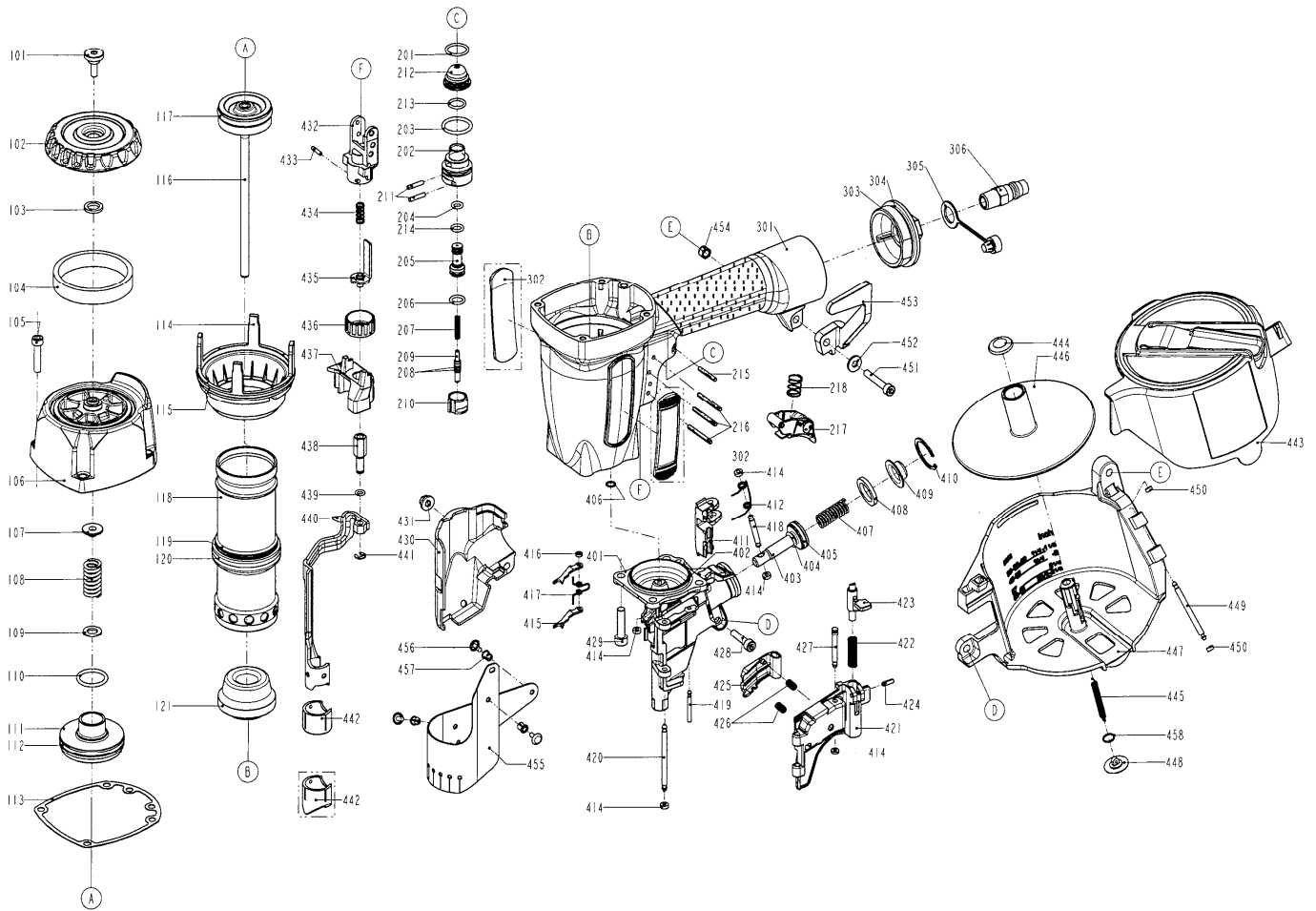


C 28 / 70



Repère	Code	Français	English	Deutsch	Español	Romana
101	12B00304	Vis du déflecteur	Deflector screw	Leitblech schraube	Tornillo del deflector	Surub de deflector
102	12B01778	Déflecteur	deflector	Leitblech	Deflector	Deflector
103	12B00294	Anneau	Ring	Scheibe	Arandela	Saiba
104	12B01767	Silencieux	Silencer	Schalldampfer	Silenciador	Silentios
105	12B00780	Vis	screw	Schraube	Tornillo	Surub
106	12B01776	Tête	Cap	Deckel	Tapa	Capac
107	12B01777	Joint	O-ring	O-ring	Junta	Garnitura
108	12B01775	Ressort	Spring	Feder	Muelle	Arc
109	12B01216	Rondelle plate	Ring	Scheibe	Arandela	Saiba
110*	12B01756	Joint	O-ring	O-ring	Junta	Garnitura
111	12B01131	Valve de piston	Piston valve	Kolbenventil	Valvula del piston	Valva Pistonului
112*	12B01784	Joint	O-ring	O-ring	Junta	Garnitura
113	12B01766	Joint	O-ring	O-ring	Junta	Garnitura
114	12B01763	Bague	Collar	Ring	Manguito	Inel
115*	12B01093	Joint	O-ring	O-ring	Junta	Garnitura
116	12B01760	Piston	Piston	Kolben	Piston	Piston
117*	12B01785	Joint	O-ring	O-ring	Junta	Garnitura
118	12B01762	Cylindre	cylinder	Zylinder	cilindro	Cilindru
119*	12B01787	Joint	O-ring	O-ring	Junta	Garnitura
120*	12B01786	Joint	O-ring	O-ring	Junta	Garnitura
121	12B01764	Amortisseur	Bumper	Puffer	amortiguador	Amortizor
201	12B00556	Joint	O-ring	O-ring	Junta	Garnitura
202	12B00532	Couvercle	Cover	Deckel	tapadera	Capac
203	12B00213	Joint	O-ring	O-ring	Junta	Garnitura
204	12B00212	Joint	O-ring	O-ring	Junta	Garnitura
205	12B00502	Servo-commande	Trigger valve head	Ventil	Cabeza de la valvula	Cap de valva
206	12B00209	Joint	O-ring	O-ring	Junta	Garnitura
207	12B00168	Ressort	Spring	Feder	Muelle	Arc
208	12B00561	Joint	O-ring	O-ring	Junta	Garnitura
209	12B00608	Tige servo-commande	Plunger	Sauger	Ventosa	Ventuză
210	12B01779	Servo-commande	Trigger valve head	Ventil	Cabeza de la valvula	Cap de valva
211	12B00496	Pivot	Pivot	Drehachse	Pivote	Pivot
212	12B00535	Couvre servo-commande	Trigger valve head cover	Ventilsdeckel	Cabeza de la valvula	Cap de valva
213	12B00557	Joint	O-ring	O-ring	Junta	Garnitura
214	12B00565	Joint	O-ring	O-ring	Junta	Garnitura

215	12B00016	Ressort	Spring	Feder	Muelle	Arc
216	12B00401	Goupille	Pin	Stift	Clavija	Zavor
217	12B00326	Gâchette	Trigger	Drücker	Gatillo	Opritor
218	12B00384	Ressort	Spring	Feder	Muelle	Arc
301	12B01761	Corps	Body	Gehäuse	Cuerpo	Corp
302	12B01774	Protection	Protection	Sicherheit	Proteccion	Sigurante
303	12B00355	Couvercle	Cover	Deckel	tapadera	Capac
304*	12B00218	Joint	O-ring	O-ring	Junta	Garnitura
305	12B00020	Protection	Protection	Sicherheit	Proteccion	Sigurante
306	T023901	Raccord	Air plug	Anschluss	Empalme	Racord
401	12B00389	Nez	Nose	Nase	Morro	Nas
402*	12B00413	Joint	O-ring	O-ring	Junta	Garnitura
403	12B00374	Piston	Piston	Kolben	Piston	Piston
404*	12B00418	Joint	O-ring	O-ring	Junta	Garnitura
405*	12B00406	Joint	O-ring	O-ring	Junta	Garnitura
406*	12B00419	Joint	O-ring	O-ring	Junta	Garnitura
407	12B00352	Ressort	Spring	Feder	Muelle	Arc
408	12B00359	Amortisseur	Bumper	Puffer	amortiguador	Amortizor
409	12B00376	Couvercle	Cover	Deckel	tapadera	Capac
410	12B00395	Circlips	C-ring	C-Ring	Tuerca	Piulita
411	12B00329	Avance pointes	trigger	Ausloser	pulsador	secundor
412	12B00330	Ressort	Spring	Feder	Muelle	Arc
414	12B00368	Anneau de retenue	PU ring	Sicherungsring	Tuerca	Piulita
415	12B00331	Avance pointes	trigger	Ausloser	pulsador	secundor
416	12B00096	Anneau de retenue	PU ring	Sicherungsring	Tuerca	Piulita
417	12B00332	Ressort	Spring	Feder	Muelle	Arc
418	12B00375	Goupille	Pin	Stift	Clavija	Zavor
419	12B00365	Goupille	Pin	Stift	Clavija	Zavor
420	12B03090	Pivot	Pivot	Drehachse	Pivote	Pivot
421	12B00371	Porte	Door	Gatter	Puerta	Usa
422	12B00334	Ressort	Spring	Feder	Muelle	Arc
423	12B00333	Levier	Lever	Hebel	Palanca	Impagatot
424	12B00398	Goupille	Pin	Stift	Clavija	Zavor
425	12B00363	Arrêt pointes	Shaft	Stoppen	Parada	Opritor
426	12B00351	Ressort	Spring	Feder	Muelle	Arc
427	12B00364	Goupille	Pin	Stift	Clavija	Zavor
428	12B01147	Vis	screw	Schraube	Tornillo	Surub
429	12B01223	Vis	screw	Schraube	Tornillo	Surub
430	12B00356	Couvre sécurité	Safety cover	Sicherungsdeckel	Tapadera de seguridad	Capac de sigurante
431	12B00403	Ecrou	Screw nut	Mutter	Tuerca	Piulita
432	12B00349	Guide sécurité	Safety guide	Sicherheitführung	Guia de seguridad	Guidaj de sigurante
433	12B00397	Goupille	Pin	Stift	Clavija	Zavor
434	12B00164	Ressort de sécurité	Safety spring	sicherungsFeder	Muelle de seguridad	Arc de siguranta
435	12B00328	Sécurité B	Safety B	Sicherheit B	Seguridad B	Sigurante
436	12B00391	Axe d'ajustement	Adjust axie	Achseanpassung	Eje de Ajuste	Axa de ajustaje
437	12B01780	Couvre sécurité	Safety cover	Sicherungsdeckel	Tapadera de seguridad	Capac de sigurante
438	12B01781	Joint	O-ring	O-ring	Junta	Garnitura
439*	12B00409	Joint	O-ring	O-ring	Junta	Garnitura
440	12B00347	Sécurité A	Safety A	Sicherungeinheit	Unidad de seguridad	Sigurante
441	12B00396	Circlips	circlips	Sicherungsring	Tuerca	Piulita
442	12B00350	Protection	Protection	Sicherheit	Proteccion	Sigurante
442	12B01769	Embout d'angle	Corner tip	Eck Kappe	Punta	Sfat
443	12B01772	Protection	Protection	Sicherheit	Proteccion	Sigurante
444	12B01758	Socle ressort	rear plate	sockel	Zocalò	Bazà
445	12B00343	Ressort	Spring	Feder	Muelle	Arc
446	12B00362	Entretoise	Strut	Abstandshalter	Tirante	Spacer
447	12B00360	Magasin	Magazine	Magazin	Almacen	Magazie
448	12B00432	Socle ressort	rear plate	sockel	Zocalò	Bazà
449	12B00373	Pivot	Pivot	Drehachse	Pivote	Pivot
450	12B00367	Joint	O-ring	O-ring	Junta	Garnitura
451	12B01386	Vis	screw	Schraube	Tornillo	Surub
452	12B00206	Rondelle plate	Ring	Scheibe	Arandela	Saiba
453	12B00585	Crochet	Spring retainer	Hacken	Muelle	Arc
454	12B00078	Ecrou	Screw nut	Mutter	Tuerca	Piulita
455	12B00390	Protection	Protection	Sicherheit	Proteccion	Sigurante
456	12B00341	Goupille	Pin	Stift	Clavija	Zavor
457	12B00337	Circlips	circlips	Sicherungsring	Tuerca	Piulita
458*	12B00417	Joint	O-ring	O-ring	Junta	Garnitura
*	12B02433	Kit joint	O-ring kit	O-ring set	Junta kit	Garnitura kit
#	12B02512	Kit servo-commande	Trigger valve kit	Ventil kit	Valvula kit	Kit de valva
	12B00729	Gâchette coup/coup				