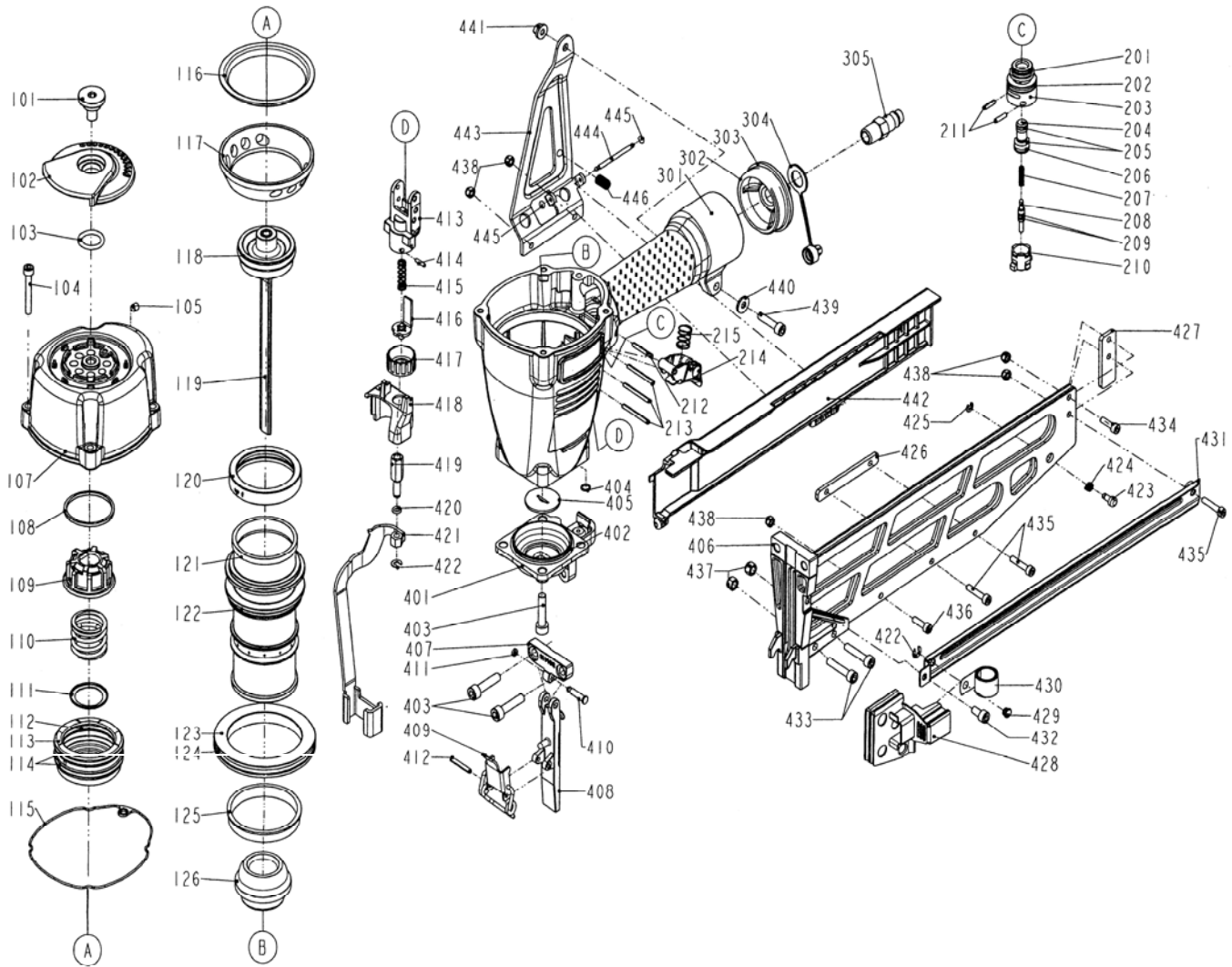


10T65



Repère	Code	Français	English	Deutsch	Español	Romana
101	12B00736	défecteur	deflector	Leitblech	Deflector	Deflector
102	12B00739	défecteur	deflector	Leitblech	Deflector	Deflector
103*	12B00116	joint	O-ring	O-ring	Junta	Garnitura
104	12B00747	Boulon	Bolt	Kopfschraube	Perno	Bolt
105	12B00205	Vis	screw	Schraube	Tornillo	Surub
107	12B01341	tête	Cap	Deckel	Tapa	Capac
108	12B01730	rondelle	Ring	Scheibe	Arandela	Saiba
109	12B01346	joint	O-ring	O-ring	Junta	Garnitura
110	12B01330	ressort	Spring	Feder	Muelle	Arc
111	12B01731	rondelle	Ring	Scheibe	Arandela	Saiba
112*	12B00751	joint	O-ring	O-ring	Junta	Garnitura
113	12B01338	Valve	Valve	Ventil	Valvula	Valva
114*	12B01408	joint	O-ring	O-ring	Junta	Garnitura
115	12B01718	protection	Protection	Sicherheit	Proteccion	Sigurante
116	12B00737	rondelle	Ring	Scheibe	Arandela	Saiba
117	12B00731	bague de cylindre	Cylinderring	Zylinder Ring	Manguito de cilindro	Inel de cilindru
118*	12B01404	joint	O-ring	O-ring	Junta	Garnitura
119	12B01714	guide	Driver unit	Führer	Guia	Ghidaj
120	12B01377	anneau	Ring	Scheibe	Arandela	Saiba
121	12B01273	cylindre	cylinder	Zylinder	cilindro	Cilindru
122*	12B00753	joint	O-ring	O-ring	Junta	Garnitura
123	12B00733	cylindre	cylinder	Zylinder	cilindro	Cilindru
124*	12B00748	joint	O-ring	O-ring	Junta	Garnitura
125	12B01148	bague de cylindre	Cylinderring	Zylinder Ring	Manguito de cilindro	Inel de cilindru
126	12B00342	amortisseur	Bumper	Puffer	amortiguador	Amortizor
201	12B00324	joint	O-ring	O-ring	Junta	Garnitura

202	12B01522	joint	O-ring	O-ring	Junta	Garnitura
203	12B00269	tête	Cap	Deckel	Tapa	Capac
204	12B00167	Valve	Valve	Ventil	Valvula	Valva
205	12B00212	joint	O-ring	O-ring	Junta	Garnitura
206	12B00209	joint	O-ring	O-ring	Junta	Garnitura
207	12B00168	ressort	Spring	Feder	Muelle	Arc
208	12B01729	Tige de servo cde	Plunger	Sauger	Ventosa	Ventuza
209	12B00039					
210	12B00267	servo commande	Trigger valve head	Ventil	Cabeza de la valvula	Cap de valva
211	12B00139	ressort	Spring	Feder	Muelle	Arc
212	12B00016					
213	12B01524	ressort	Spring	Feder	Muelle	Arc
214	12B00326	gâchette	Trigger	Drücker	Gatillo	Opritor
215	12B00384	ressort	Spring	Feder	Muelle	Arc
301	12B01252	corps	Body	Gehäuse	Cuerpo	Corp
302	12B00421	tête	Cap	Deckel	Tapa	Capac
303*	12B00218	joint	O-ring	O-ring	Junta	Garnitura
304	12B01474	tête	Cap	Deckel	Tapa	Capac
305	12B00019					
401	12B01717	base	base	Base	Base	Baza
402*	12B00754	joint	O-ring	O-ring	Junta	Garnitura
403	12B01223	Boulon	Bolt	Kopfschraube	Perno	Bolt
404*	12B00419	joint	O-ring	O-ring	Junta	Garnitura
405	12B01732	guide	Driver unit	Führer	Guia	Ghidaj
406	12B01715	guide	Driver unit	Führer	Guia	Ghidaj
407	12B01726	plaque avant A	Drive guide cover A	schaltlatt A	placa A	placa A
408	12B01725	plaque avant A	Drive guide cover A	schaltlatt A	placa A	placa A
409	12B00933	loquet	Latch	Verschluss	Picaporte	Zavo
410	12B01735	raccord	Air plug	Anschluss	Empalme	Racord
411	12B00469	joint	O-ring	O-ring	Junta	Garnitura
412	12B01106	Goupille	Pin	Stift	Clavija	Zavor
413	12B00349	guide sécurité	Safety guide	Sicherheitführung	Guia de seguridad	Guidaj de sigurante
414	12B00626	Goupille	Pin	Stift	Clavija	Zavor
415	12B01720	Ressort de sécurité	Safety spring	sicherungsFeder	Muelle de seguridad	Arc de siguranta
416	12B00328	sécurité B	Safety B	Sicherheit B	Seguridad B	Sigurante
417	12B00391	axe d'ajustement	Adjust axie	Achseanpassung	Eje de Ajuste	Axa de ajustaje
418	12B00385	Couvercle	Cover	Deckel	tapadera	Capac
419	12B01733	axe d'ajustement	Adjust axie	Achseanpassung	Eje de Ajuste	Axa de ajustaje
420*	12B00478	joint	O-ring	O-ring	Junta	Garnitura
421	12B01719	Sécurité	Safety	Sicherung	Seguridad	Siguranta
422	12B00624	circilps	circlips	Sicherungsring	Tuerca	Piulita
423	12B00936	poussoir	trigger	Ausloser	pulsador	secundor
424	12B00937	ressort	Spring	Feder	Muelle	Arc
425	12B00056	joint	O-ring	O-ring	Junta	Garnitura
426	12B01721	entretoise	Strut	Abstandshalter	Tirante	Spacer
427	12B01722	entretoise	Strut	Abstandshalter	Tirante	Spacer
428	12B01727	poussoir	trigger	Ausloser	pulsador	secundor
429	12B01724	Crochet	Hook	Greifer	Gancho	Crosetat
430	12B01728	ressort	Spring	Feder	Muelle	Arc
431	12B01734	Tige	Stem	Stängel	Varilla	Regleta
432	12B01736	Boulon	Bolt	Kopfschraube	Perno	Bolt
433	12B00780	Vis	screw	Schraube	Tornillo	Surub
434	12B00198	Boulon	Bolt	Kopfschraube	Perno	Bolt
435	12B00260	Boulon	Bolt	Kopfschraube	Perno	Bolt
436	12B01435	Boulon	Bolt	Kopfschraube	Perno	Bolt
437	12B00078					
438	12B00048	protection	Protection	Sicherheit	Proteccion	Sigurante
439	12B01147	Boulon	Bolt	Kopfschraube	Perno	Bolt
440	12B00206	joint plat	O-ring	O-ring	Junta	Garnitura
441	12B00403	tête	Cap	Deckel	Tapa	Capac
442	12B01723	Crochet	Hook	Greifer	Gancho	Crosetat
443	12B01716	plaque avant	Drive guide cover	schaltlatt	placa	placa
444	12B00947	pivot	Pivot	Drehachse	Pivote	Pivot
445*	12B01086	joint	O-ring	O-ring	Junta	Garnitura
446	12B00931	Ressort de sécurité	Safety spring	sicherungsFeder	Muelle de seguridad	Arc de siguranta
(*)	12B02429	Kit joint	O-ring kit	O-ring set	Junta kit	Garnitura kit