

# » PERFECT PRO



**WORKTUBE®**  
» PERFECT PRO

INSTRUCTION MANUAL	<b>GB</b>
MANUEL DE L'UTILISATEUR	<b>F</b>
GEBRUIKSAANWIJZING	<b>NL</b>
BEDIENUNGSANLEITUNG	<b>D</b>

## CONTENTS

CONTENTS .....	1
IMPORTANT SAFETY INSTRUCTIONS .....	2
CONTROLS .....	3
POWER SUPPLY .....	5
GENERAL FUNCTIONS .....	8
USING THE RADIO FOR THE FIRST TIME .....	8
DAB MODE (DAB – DAB+) .....	9
FM MODE .....	12
PRESET STATIONS .....	14
AUX-IN MODE .....	15
MANUALLY SETTING CLOCK .....	15
SETTING THE ALARM .....	16
TONE .....	17
LANGUAGE SETTING .....	18
SOFTWARE VERSION .....	18
SYSTEM RESET .....	19
KEY LOCK .....	20
BACKLIGHT .....	20
WARRANTY .....	21
INFORMATION .....	22

**WARNING ! WARRANTY BECOMES VOID ONCE THE DEVICE CABINET HAS BEEN OPENED OR ANY MODIFICATIONS OR ALTERATIONS TO THE ORIGINAL DEVICE HAVE BEEN MADE**

## IMPORTANT SAFETY INSTRUCTIONS

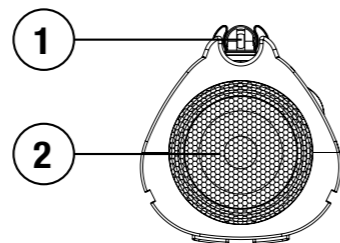
1. Read these instructions.
2. Keep these instructions.
3. Heed all warnings.
4. Follow all instructions.
5. Clean only with dry cloth.
6. Do not block any ventilation openings. Install in accordance with the instructions.
7. Do not install near any heat sources such as radiators, heat registers, stoves or other apparatus (including amplifiers) that produce heat.
8. Only use attachments/accessories specified by the manufacturer.
9. Use only with the cart, stand, tripod, bracket, or table specified by the manufacturer, or sold with the apparatus. When a cart is used, use caution when moving the cart/apparatus combination to avoid injury from tip-over.
10. Unplug this apparatus during lightning storms or when unused for long periods of time.
11. Refer all servicing to qualified service personnel. Servicing is required if the apparatus has been damaged in any, such as power-supply cord or plug is damaged, liquid has been spilled or objects have fallen into the apparatus, the apparatus has been exposed to rain or moisture, does not operate normally, or has been dropped.
12. To reduce the risk of fire or electric shock, do not expose this appliance to rain or moisture.
13. Do not remove the cover; there are no user-serviceable parts inside.
14. No naked flame sources shall be placed on the apparatus.
15. For outdoors use, to avoid electric shock, use battery only during a raining day or the weather is wet. To prevent electric shock, if the radio has been exposed to rain or water, the power supply cord and plug must be completely dried before plugging into the mains socket outlet.
16. The power plug should be close to the apparatus, and easy to be approached that during emergency, to disconnect the power from the apparatus, just unplug the power plug from the AC power slot.
17. The marking information is located at the side of the apparatus.
18. This apparatus is provided with protection against splashing water (IP45).
19. In case of malfunction due to electrostatic discharge or fast transient (burst), remove and reconnect the power supply.
20. The apparatus must be used in a moderate climate.
21. Use only the AC/DC adaptor which is provided by the manufacturer:  
ATL model : DCL25AF-120200  
Input : AC 110-240V 50/60Hz  
Output : 12V DC 2A
22. To prevent possible hearing damage, do not listen at high volume levels for long period or put your ears too close to the speaker.
23. Under the environment with Conduct Immunity disturbance / Radiated Immunity, the sample may malfunction. It will automatically recover to normal when the Conducted Immunity disturbance / Radiated Immunity stopped.



## CONTROLS

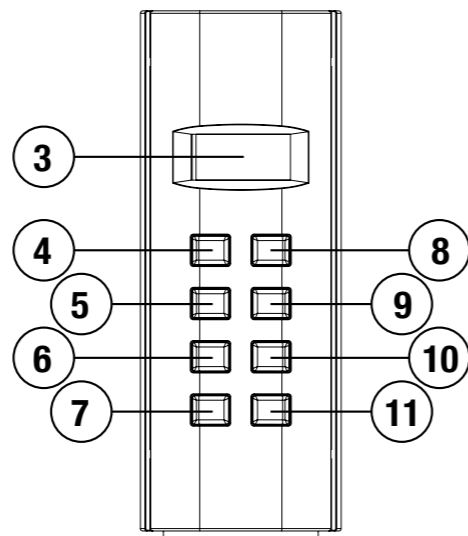
### Top View

- 1. Antenna
- 2. Speaker



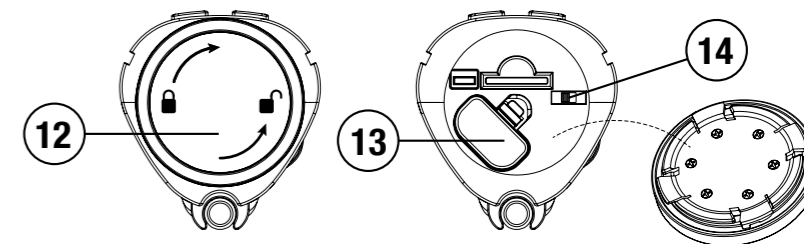
### Front View

- 3. LCD Display
- 4. Volume Down
- 5. Tuning Down
- 6. Menu-Preset
- 7. On/Off
- 8. Volume Up
- 9. Tuning Up
- 10. Tone /Select-Info
- 11. Lock/Source



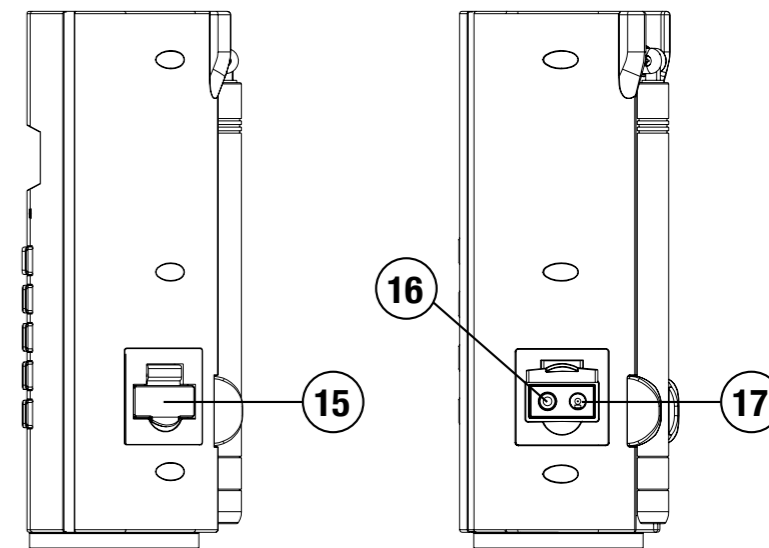
### Bottom View

- 12. Rubber Foot
- 13. Battery Door
- 14. Battery Charger Switch



### Side Views

- 15. Jack Rubber Cover
- 16. Aux-in
- 17. DC Adaptor In



## POWER SUPPLY

### AC operation

1. Before plugging the AC/DC adaptor into the AC socket, make sure the voltage is correct and the Battery charger switch is set correctly: ALKALINE OFF for when using no batteries or Alkaline batteries / NiHM ON for when using NiMH rechargeable batteries.
2. If you use Alkaline batteries in the radio and the Battery charger switch is on ALKALINE OFF, the batteries will be disconnected automatically when using AC power supply.
3. If you use rechargeable NiMH batteries in the radio and the Battery charger switch is on NiMH ON, the NiMH batteries will be charged automatically when using AC power supply.
4. Never use the AC/DC adaptor in rainy or moist conditions to prevent short circuit or moist from entering the radio. Under those conditions only use battery power and keep the rubber cover closed.

Note:  
In order to disconnect the unit from the AC mains completely, the AC/DC adaptor should be removed from the mains socket completely and it shall remain readily operable and should not be obstructed during intended use.  
In case of malfunction due to electrostatic discharge or fast transient (burst), remove the AC adaptor from power supply and remove the batteries then reinstall the batteries and reconnect the power supply.

### Battery operation

1. To open the battery compartment, first remove the rubber foot at the bottom of the apparatus by turning it in counter clockwise direction.
2. Loosen the screw of the door by unscrewing it in anti-clockwise direction.
3. Observe correct polarity as indicated on the unit (+ and -). Insert Alkaline batteries (6 x 1,5V type IEC LR6 / AM3 / Size AA) or NiMH rechargeable batteries (6 x 1,2V PerfectPro Rechargeable Accu, Size AA / HR6 / 2500mAh) with the correct polarity into the compartment.
4. Close the battery door and make sure the screw is fastened.
5. Set the Battery charger switch in the battery compartment according to the battery type to be used (ALKALINE OFF or NiMH ON).

6. When you choose to use NiMH batteries, switch the Battery charger switch to NiMH ON. The radio will charge the batteries when it is connected to AC power. When the battery is being charged, the battery symbol on the LCD display will animate. The charging and animation will stop automatically when the batteries are full.
7. When you choose to use Alkaline batteries, switch the Battery charger switch to ALKALINE OFF. Alkaline battery will not be charged.
8. Close the rubber foot well to prevent moist or dust from entering the compartment by turning it in clockwise direction onto the unit.
9. If the unit is not to be used for any extended period of time, it is recommended that the batteries are removed from the radio.

The approximate power level of the batteries is displayed on the LCD display of the radio by the battery symbol (4 levels in total). When the power level is very low the indication "Batt. Low!" appears and the battery symbol flashes on the display. The batteries should then be recharged or replaced soon to continue normal operation of the radio.

### Warning:

Danger of explosion if a battery is incorrectly replaced. Replace only with the same or equivalent type.  
Always make sure the Battery charger switch is set to the correct position.  
An Alkaline battery is not rechargeable. Never attempt charging Alkaline batteries.  
Do not mix up different battery types.  
Do not mix up charged and uncharged batteries.  
Do not expose the batteries to excessive heat such as sunshine, fire or the like.  
Batteries should not be disposed of by incineration and with household waste. Disposable batteries should be taken to a suitable recycling centre if possible.

## IMPORTANT INFORMATION ON CHARGING AND USING RECHARGEABLE BATTERIES

1. Recharge the batteries in any case at least every 2 months.
2. Make sure the Battery charger switch next to the battery compartment is set to the "CHARGE / NiMH ON" position.
3. Put the batteries in the compartment whilst paying attention to the correct polarity of the batteries (+ and -).
4. First use: Charge new batteries in one continuous, uninterrupted, charge until they are full. This first charge may take longer than normal. For longer battery life it is advised to always recharge in one continuous, uninterrupted charge until batteries are full and do not recharge again whilst the batteries are still full.
5. New batteries will only reach their full capacity after some time of use (several charge – discharge cycles).
6. Leave the complete group of batteries in place inside the radio and do not use these batteries or a few of them for other purposes. This will result in a mix of (fully) charged and (partly) empty batteries. This can seriously damage the batteries and radio when recharged.
7. It is advised to only charge batteries at room temperatures between 5 degrees C – 35 degrees C. In lower or higher temperatures full charge cannot be achieved.
8. Depending on the capacity of the batteries, charging from "empty" to "full" can take several hours.
9. Do not charge batteries when the radio is hot or exposed to heat or heat sources.
10. It is advised to clean the metal contacts of the batteries and of the charger inside the radio e.g. with a contact-spray from time to time.
11. Do not use a mix of old and new rechargeable batteries.
12. Do not use a mix of rechargeable and non-rechargeable batteries.
13. Do not use a mix of full and empty rechargeable batteries.
14. Do not use batteries that have a different mAh capacity.
15. Do not use damaged, deformed or leaking batteries.
16. Battery level indication is an approximate indication only and can vary with battery type used.
17. Batteries can become hot during charging.
18. In cold conditions the capacity of batteries will be much lower than when used at normal room temperature
19. Batteries (even when supplied with the radio), as being consumables, do not fall under the warranty conditions of the radio.
20. It is advised to use PerfectPro rechargeable batteries as the radio and its charger were developed for use with these batteries.

## GENERAL FUNCTIONS

1. **Switching on and off**  
Press the **On/Off** button to turn the radio on or in standby.
2. **Switching among DAB / FM / AUX-IN modes**  
Press the **SOURCE** button to switch between modes.
3. **Tuning the Radio**  
Tune the radio using the **TUNING** ◀◀ and ▶▶ buttons.
4. **Adjusting the Volume**  
Adjust the volume with the **VOLUME** + and - buttons.
5. **Adjusting the Tone**  
Press the **TONE** button and adjust the Bass and Treble with the **VOLUME** + and - buttons.
6. **Using the AUX-IN feature**  
Connect the audio output of an external audio device to the Ø3.5mm AUX-IN socket and play music from the external device.

## USING THE RADIO FOR THE FIRST TIME

1. Insert batteries and place the radio on a flat surface.
2. Plug the AC/DC power adaptor into the AC socket if desired.
3. Carefully extend the antenna located at the back of the radio. Adjust the antenna so it is vertically extending above the radio.
4. The radio will start up and the display will show "WELCOME" for a few seconds. Then the radio will automatically perform an auto scan of the Band III DAB channels and the FM band. The display will show "Scanning" in DAB and "Auto" in FM.
5. When the scan is completed, the 10 strongest FM stations will be stored as presets and the available DAB stations will be in the list of stations. The radio will switch to standby with the updated clock and date showing on the display.
6. If no signals are found, the clock will not be updated. It may be necessary to relocate the radio to a position with better reception.

## DAB MODE (DAB – DAB+)

### Operating the radio – DAB

1. Carefully extend the antenna. Press the **On/Off** button to switch on the radio.
2. Select the **DAB** waveband by pressing the **SOURCE** button.
3. The first station in the list of stations found will be played. The display will show the station name. If the radio has been used before, the last used station will be selected.
4. If no DAB signals are detected, “No stations” will be displayed. It may be necessary to relocate the radio to a position with better reception. You should then carry out an auto scan to find stations, please refer to the section “**Find new stations - DAB**”.

### Selecting a station – DAB

1. Press the **On/Off** button to switch on the radio. The display will show “Connecting” and “Playing” for a few seconds.
2. Select the DAB waveband by pressing the Source button.
3. The display will show “Now tuning” for a few seconds.
4. The display shows the name of the radio station currently selected.
5. Press the **TUNING** ◀◀ or ▶▶ buttons to scroll through the list of available stations.
6. When the desired station name appears on the display, press the **SELECT-INFO** button to select the station.

Note: If after selecting a station the display shows “No stations”, it may be necessary to relocate the radio to a position with better reception.

### Display modes – DAB

In DAB mode, the radio can display a range of information on the display.

Press the **INFO** button to cycle through the various modes.

- |                            |   |
|----------------------------|---|
| a. Scrolling text          | Displays scrolling text message e.g. station information, artist/track name, phone-in number, etc.  |
| b. Signal strength         | Displays the signal strength of radio reception. The clear unfilled rectangle indicates minimum signal level required for satisfactory reception. |
| b. Program type            | Displays the type of station being listened to e.g. Pop, Classic, News, etc.  |
| c. Multiplex name          | Displays the name of multiplex to which the current station belongs.  |
| d. Channel & frequency     | Displays the channel number and frequency for the currently tuned DAB station.  |
| e. Bit rate & audio format | Displays the digital audio bit rate and audio format.   |
| f. Time & date             | Displays the current time and date.   |

### Finding new stations – DAB

From time to time, new stations may become available. You may proceed to find new stations as follows:

1. In DAB mode, press the **MENU** button, “Full Scan” shows on the display.
2. Press the **SELECT-INFO** button, the radio will perform a scan of the Band III DAB channels. As new stations are found, the station counter on the right-hand side of the display will increase and new radio stations found will be added to the list stored in the radio.

### Manual Tuning – DAB

Manual tuning is an alternative method of finding new stations. Instead of scanning the entire Band III channels automatically, you may tune the radio directly to a known DAB channel and store all the multiplex in that channel into the available station list.

1. In DAB mode, press the **MENU** button and the **TUNING** ◀◀ or ▶▶ buttons until the LCD display shows “Manual Tune”, then press the **SELECT-INFO** button. The display will show DAB channel and Frequency.
2. Press the **TUNING** ◀◀ or ▶▶ buttons to select the desired Channel or Frequency and then the **SELECT-INFO** button to tune to the chosen frequency.

- When DAB stations in the tuned channel are found, the display will show the name of the station. Any new radio stations found will be added to the list stored in the radio.
- The signal strength display shows the reception of the station. The clear unfilled rectangle indicates minimum signal level required for satisfactory reception. The signal strength bars will go up or down showing the changing signal strength as you adjust the antenna or the radio position.
- Repeat step 1 to 4 for other channels with new stations.
- Press the MENU button twice to exit manual tuning and return to normal DAB operation.

### Dynamic Range Control (DRC) settings – DAB

DRC can make quieter sounds easier to hear when your radio is used in a noisy environment.

- In DAB mode, press the **MENU** button and the **TUNING ◀◀ or ▶▶** buttons until the display shows “DRC Value”, then press the **SELECT-INFO** button .
- Press the **TUNING ◀◀ or ▶▶** buttons to select required DRC setting (default is OFF).  
 DRC off     DRC is switched off, broadcast DRC will be ignored.  
 DRC high     DRC is set as sent by broadcaster.  
 DRC low     DRC level is set to 1/2 that sent by broadcaster.
- Press the **SELECT-INFO** the knob to confirm the setting. The display will return to normal radio display.

Note: Not all DAB broadcasts are able to use the DRC function. If the broadcast does not support DRC, then the DRC setting in the radio will have no effect.

### Prune stations – DAB

If you move to a different part of the country, some of the stations that were listed may no longer be available. Also, from time to time, some DAB services may stop broadcasting, or may change location or frequency. The Prune stations function will delete the unavailable DAB stations from your station list.

- In DAB mode, press the MENU button and the **TUNING ◀◀ or ▶▶** buttons until the display shows “Prune”, then press the **SELECT-INFO** button.
- Press the **TUNING ◀◀ or ▶▶** buttons to select between “Yes” or “No” (default is No). Select “Yes” to enable this function if required, otherwise, select “No”.

- Press the **SELECT-INFO** button to confirm your setting. The display will return to last menu and press **MENU** to go to the normal radio display.

Note: If you have moved the radio to a different part of the country, you should also carry out a search for new stations (please see the section “Finding new stations – DAB”).

## FM MODE

### Operating the radio – FM seek station

- Press the **On/Off** button to switch on the radio.
- Select the **FM RADIO** waveband by pressing the **SOURCE** button.
- If this is the first time to switch to FM mode, the station in preset 1 will be played. If the radio has been used before, the last listened station will be played.
- To seek station, press the **TUNING ◀◀ or ▶▶** buttons. The scan stops automatically when it finds a station of sufficient strength.
- After a few seconds, the display will update and show station name if RDS information is being received.
- To find other stations, press the **TUNING ◀◀ or ▶▶** buttons again.
- To seek station in an opposite direction, press the **TUNING ▶▶** button to scan from low frequency to high frequency or press the **TUNING ◀◀** button to scan from high frequency to low frequency.
- When the waveband end is reached, the radio will recommence tuning from the opposite waveband end.

### Manual tuning – FM

- Press the **On/Off** button to switch on the radio.
- Select the FM band by pressing the **SOURCE** button.
- Press the **TUNING ◀◀ or ▶▶** buttons to reach the required FM station. The radio will change the frequency in steps of 50 kHz.
- Adjust the rubber antenna to get the best reception. If the radio is tuned to a station of sufficient signal strength with RDS information present, the display may change to show the station name.
- When the waveband end is reached, the radio will recommence tuning from the opposite waveband end.

## RDS station service – FM

RDS (Radio Data System) is an information system which inaudible digital information is transmitted in addition to the normal FM radio program. When the radio is receiving a RDS station and the reception strength is sufficient, the station name will appear in the display. It may take some time before the RDS information is available.

### Calling up RDS information

When you are listening to a FM station with RDS system, repeatedly press the SELECT-INFO button to cycle through the information. This will only function if the reception level is sufficient and clear.

- |                       |   |
|-----------------------|---|
| a. Station name (PS)  | Displays the name of station being listened to.                               |
| b. Radio text (RT)    | Displays the message about the station being listened to as ticker text.      |
| c. Program type (PTY) | Displays the type of station being listened to, e.g. Pop, Classic, News, etc. |
| d. Frequency          | Displays the frequency of the station being listened to.                      |
| e. Signal level       | Displays the signal strength.   |
| f. Time & date        | Displays the current time (24 hour clock) and date.                           |

## Scan sensitivity setting – FM

The radio will normally scan all stations from FM broadcasts including the weaker signals. However, you may wish the Auto-scan to find only those stations with strong enough signals to give good reception.

1. Press the **On/Off** button to switch on the radio.
2. Select the FM band by pressing the **SOURCE** button.
3. Press the **MENU** button, the display shows “Scan”.
4. Press the **SELECT-INFO** button .
5. Press the **TUNING** ◀◀ or ▶▶ buttons to select “All” or “Strong” (default is “Strong”). The “Strong” station option will allow the radio to find strong signals only when scanning.
6. Press the **SELECT-INFO** button to confirm your setting. The display will return to normal radio display.

## PRESET STATIONS

### Storing preset stations

There are 20 memory presets in the radio, 10 for DAB and 10 for FM. Presets are remembered by the radio in the event of a power failure.

1. Press the **On/Off** button to switch on the radio.
2. Select the desired waveband by pressing the **SOURCE** button.
3. Tune to the required station.
4. Press (for 1 sec.) the **MENU-PRESET** button until “Preset” is displayed.
5. Press the **TUNING** ◀◀ or ▶▶ buttons to select the desired preset number (from P1 to P10).
6. Press (for 1 sec.) the **SELECT-INFO** button display will show “Saved” to confirm.
7. Repeat steps 3 to 6 for the remaining presets.
8. Stations stored in the preset memories can be over-written by following the above procedure.

### Recalling preset stations

1. Press the **On/Off** button to switch on the radio.
2. Select the desired waveband by pressing the **SOURCE** button.
3. Press (for 1 sec.) the **MENU-PRESET** button until “Preset” is displayed. The display will show the station frequency and the preset number.
4. Press the **TUNING** ◀◀ or ▶▶ buttons to select the desired preset station, then press **SELECT-INFO** to confirm.



## AUX-IN MODE

A 3.5mm stereo Aux-In socket is provided on the side behind the rubber cover, for connecting an external audio device such as MP3 player or CD player (Aux cable not included with this radio).

1. Connect an audio source to the **AUX-IN** socket.
2. Press the **SOURCE** button to select AUX input. Display will show "AUX IN".
3. Play the external player.
4. Adjust the **VOLUME** of both the radio and the player for comfortable listening.
5. After use, close the rubber cover to prevent moist or dust from entering into the sockets and radio.

**Notes:** Never use the Aux-In socket in rainy or moist conditions to prevent moist from entering the radio. Keep the rubber cover well closed under these conditions.

The Auto-Power management function will be activated in AUX mode. If there is no signal\* from the Aux-In socket for a period of over 15 minutes, the **WorkTube** radio will automatically switch to standby mode. Pressing the **On/Off** button will wake up the unit.

\* Also when the incoming signal from the external device is too low and cannot be detected for a period of over 15 minutes by the Auto-Power management, the **WorkTube** radio will switch to standby mode.  
To prevent this raise the output level of the external device enough to be detected.

## MANUALLY SETTING CLOCK

The clock can only be manually set when the radio is in standby mode. If no buttons are pressed for 5 seconds, the radio will exit the clock setup and the setting is cancelled.

1. Press the **MENU** button for about 3 seconds, and the display will show "CLOCK SET".
2. Press the **SELECT-INFO** button. The hour digits flash on the display.
3. Press the **TUNING** ◀◀ or ▶▶ buttons to set the hour
4. Press the **SELECT-INFO** button to confirm. The minute digits flash.
5. Press the **TUNING** ◀◀ or ▶▶ buttons to set the minute.
6. Press the **SELECT-INFO** button to confirm. The day flashes.

7. Press the **TUNING** ◀◀ or ▶▶ buttons to set the current day.
8. Press the **SELECT-INFO** button to confirm. The month flashes.
9. Press the **TUNING** ◀◀ or ▶▶ buttons to set the current month.
10. Press the **SELECT-INFO** button to confirm. The year flashes.
11. Press the **TUNING** ◀◀ or ▶▶ buttons to set the current year.
12. Press the **SELECT-INFO** button to confirm. "Synclock on" flashes.
13. Press the **TUNING** ◀◀ or ▶▶ buttons to choose either "Synclock on" or "Synclock off".
14. Press the **SELECT-INFO** button to confirm. Setting finish.

## RDS time synchronisation

"Synclock on" option during the time setting, the time will be automatically updated. Time synchronisation can take several minutes. The automatic time setting is always activated when the radio is switched from standby to FM broadcasting and receives a RDS station.

## SETTING THE ALARM

The alarm can only be set when the radio is in standby mode. If no buttons are pressed for 5 seconds, the radio will exit the alarm setup and the setting is cancelled.

1. Press the **MENU** button for about 3 seconds, and then press the MENU button again until the display shows "ALARM SET".
2. Press the **SELECT-INFO** button. The hour digits flash on the display.
3. Press the **TUNING** ◀◀ or ▶▶ buttons to set the hour
4. Press the **SELECT-INFO** button to confirm. The minute digits flash.
5. Press the **TUNING** ◀◀ or ▶▶ buttons to set the minute.
6. Press the **SELECT-INFO** button to confirm. "ALARM SOURCE" displayed.
7. Press the **TUNING** ◀◀ or ▶▶ buttons to choose among "FM RADIO", "BUZZER" and "DAB".
8. If "FM RADIO" is selected, the last listened station will be played when the alarm rings.
9. "VOL XX" displayed. Press the **TUNING** ◀◀ or ▶▶ buttons to change the alarm volume.
10. Press the **SELECT-INFO** button to confirm. Setting finish.

### Switching on/ off the alarm

1. To switch the alarm on, press the **SELECT-INFO** button and hold for 2 seconds. The alarm icon will be shown at the top left corner.
2. To switch the alarm off, press the **SELECT-INFO** button again and hold for 2 seconds. The alarm icon will be disappear.
3. To turn off the alarm when it buzzes, simply press the **On/Off** button.

## VOLUME & SOUND

To adjust the volume, simply press the **Volume** – or + buttons when playing the DAB / FM radio / AUX IN mode. The level of volume (from 00 to 40 the loudest) will be shown on the LCD Display.

**Note:** When playing on batteries; if the energy level of the batteries is too low, sound will distort on higher volume.

### 360 DEGREES SOUND

The unique Neodymium speaker located on top of the radio provides a 360 degrees sound image. Suggestion: If preferred, place the radio in a corner or close to a wall for additional sound reflection.

## TONE

The **TONE** function enables the user to adjust the lower and higher sound frequencies.

1. Press the **On/Off** button to switch on the radio.
2. Press the **TONE/SELECT-INFO** button for about 3 seconds, the display shows “BASS 0”
3. Press **Volume** – or + buttons to set the desire Bass level.
4. Press the **TONE/SELECT-INFO** button to confirm, then “TREBLE 0” displayed.
5. Press **Volume** – or + buttons to set the desire Treble level.
6. Press the **TONE/SELECT-INFO** button to confirm, and display returned to normal.

## LANGUAGE SETTING

The menu of the radio can be configured to various languages.

1. Press the **On/Off** button to switch on the radio.
2. Press the **MENU** button, and then the **TUNING** ◀◀ or ▶▶ buttons until the display shows “System”.
3. Press the **SELECT-INFO** button; then the **TUNING** ◀◀ or ▶▶ buttons until the display shows “Language”.
4. Press the **SELECT-INFO** button; then the **TUNING** ◀◀ or ▶▶ button until the desired language appears on the display (default is English).
5. Press the **SELECT-INFO** button to confirm your choice.
6. The display menu will then change to the chosen language.

## SOFTWARE VERSION

The software display cannot be altered and is just for your reference. You can only view the software version in DAB and FM mode.

1. Press the **On/Off** button to switch on the radio.
2. Press the **SOURCE** button to select FM or DAB mode.
3. Press the **MENU** button, and then **TUNING** ◀◀ or ▶▶ button until the display shows “System”.
4. Press the **SELECT-INFO** button; then the **TUNING** ◀◀ or ▶▶ button until the display shows “SW Version”.
5. Press the **SELECT-INFO** button to view the software version.
6. Press the **MENU** button to return to the normal radio display.

**Note:** USB socket next to the battery compartment is for upgrading the software of the device if needed. Software upgrade should be done by qualified service personnel.

## SYSTEM RESET

If the radio fails to operate correctly, or some digits on the display are missing or incomplete, carry out the following procedure.

1. Press the **On/Off** button to switch on the radio.
2. Press the **MENU** button, and then **TUNING** ◀◀ or ▶▶ button until the display shows "System".
3. Press the **SELECT-INFO** button; then the **TUNING** ◀◀ or ▶▶ button until the display shows "Reset".
4. Press the **SELECT-INFO** button; "Reset? <No> Yes" displayed.
5. Press the **TUNING** ◀◀ or ▶▶ button to select "Yes" if you wish to reset the radio, otherwise, select "No" .
6. Press the **SELECT-INFO** button to confirm your choice.
7. A full reset will be performed. All presets and the station list will be erased. All settings will be set to the default values. The radio will start up and the display will show "WELCOME" for a few seconds. Then the radio will automatically perform an auto scan of the Band III DAB channels and the FM band. The display will show "Scanning" in DAB and "Auto" in FM.
8. When the scan is completed, the 10 strongest FM stations will be stored as presets. The radio will switch to standby with the updated clock and date showing on the display.

In case of malfunction due to electrostatic discharge; reset the product as above to resume normal operation. If you are not able to perform the reset operation as above, remove and reconnect all batteries and the power supply.

Under the environment with Conducted Immunity disturbance / Radiated Immunity, the sample may malfunction. It will automatically recover to normal when the Conducted Immunity disturbance / Radiated Immunity stopped.

## KEY LOCK

The radio supports Key Lock function in all the Standby, DAB, FM and Aux-in modes.

1. Pressed and hold **SOURCE** button for about 3 seconds, the LCD will display "Locked".
2. When keys are locked, the functions of the radio will be temporary disabled until it has been unlocked. During this moment, the radio would only brighten the backlight for a few seconds and showing "Locked" in display.
3. Pressed and hold the **SOURCE** button for 3 seconds again, the radio would display "Unlocked", and the key lock function will be disabled.

Noted: When the radio is in standby and powered by batteries, some of the buttons were not be able to brighten the radio's backlight in order to save energy.

## BACKLIGHT

### LCD backlight

The menu of the radio can be configured to LCD backlight.

1. Press the **On/Off** button to turn on the radio.
2. Press the **MENU** button, and the **TUNING** ◀◀ or ▶▶ buttons until the display shows "System".
3. Press the **SELECT-INFO** button and the then **TUNING** ◀◀ or ▶▶ buttons until the display shows "LCD backlight".
4. Press the **SELECT-INFO** button to enter the LCD backlight adjustment menu.
5. Press the **TUNING** ◀◀ or ▶▶ buttons to select "on" in order to keep backlight always lightened when the radio is turned on with AC power supply;
6. Or Press the **TUNING** ◀◀ or ▶▶ buttons to select "off" (by default) so that the backlight will be lightened for about 10 seconds whenever a button was pressed with AC power supply.
7. Press the **SELECT-INFO** button to confirm your choice. The LCD backlight will change upon the latest selection.

Note: The LCD backlight options "on" would only be functional when the radio was powered by AC power supply. In this case, when the radio was powered by battery power supply, the LCD backlight would be switched to option "off" – 10 seconds lightened when a button was pressed. When the radio was connected to mains again with AC power supplied, the last user settings would be applied again.

## WARRANTY

This radio has a 2 year limited warranty.

**WARNING ! Warranty becomes void once the radio cabinet has been opened or any modifications or alterations to the radio have been made !**

The terms of the warranty of this radio do not cover the following:

- Damage caused by misuse, abuse, neglect, alterations, accidents or unauthorised repair.
- Normal wear and tear.
- Breaking or bending of the antenna.
- Batteries, being consumables, do not fall under the warranty conditions of the radio.

## SPECIFICATIONS

### Power requirements

Mains AC/DC adaptor	Input: 110-240V 50/60Hz AC~, Output: 12V DC 2A
Batteries	6 x 1,5V (Type IEC LR6 / AM3 / size AA)
Rechargeable batteries	6 x 1,2V (Type HR06 / size AA / 2500mAh NiMH rechargeable battery) Batteries of PerfectPro brand are highly recommended

### Frequency coverage

FM 87.5 – 108 MHz  
DAB 174,928 – 239,200 MHz

### Circuit features

Loudspeaker	1 x Ø2 1/4 inch
Output power	1 x 5W
Aux In socket	Ø3.5 mm

## INFORMATION

### Technical data



This device is noise-suppressed according to the applicable EU directives.

This product fulfills the European directives 2006/95/EC, 2005/32/EC and 2004/108/EC.

This device conforms to the safety regulation DIN EN 60065 (VDE 0860) and therefore the international safety regulation IEC 60065.

Never open the device casing. The manufacturer will not accept any liability for damage resulting from improper handling.

The type plate is located on the side of the device.

### Environmental note



This product has been made from high-quality parts and materials, which can be reused and recycled.

Therefore, do not throw the product away with normal household waste at the end of its life. Take it to a collection point for recycling electrical and electronic device. This is indicated by this symbol on the product, in the operating manual and on the packaging.

Please find out about collection points operated by your local authority. Help protect the environmental by recycling used products.

## TABLE DES MATIERES

TABLE DES MATIERES .....	1
INSTRUCTIONS DE SECURITE IMPORTANTES .....	2
COMMANDES .....	3
ALIMENTATION ELECTRIQUE .....	5
FONCTIONS .....	7
PREMIERE UTILISATION DE LA RADIO .....	9
MODE DAB .....	9
MODE FM .....	12
PRESELECTION DE STATIONS .....	14
MODE AUX-IN .....	15
REGLAGE MANUEL DE L'HEURE ET DE LA DATE .....	16
REGLAGE DE L'ALARME .....	17
VOLUME ET SON .....	18
REGLAGE DE LA TONALITE .....	18
SELECTION DE LA LANGUE .....	19
VERSION DU LOGICIEL .....	19
REINITIALISATION DU SYSTEME .....	20
VERROUILLAGE DES TOUCHES .....	20
ECLAIRAGE DE L'ECRAN .....	21
GARANTIE .....	21
INFORMATIONS .....	22

**AVERTISSEMENT : LA GARANTIE PREND FIN LORSQUE LE BOITIER DE LA RADIO A ETE OUVERT OU LORSQUE LA RADIO A ETE MODIFIEE DE QUELQUE MANIERE QUE CE SOIT PAR L'UTILISATEUR FINAL.**

## INSTRUCTIONS DE SECURITE IMPORTANTES

1. Lisez attentivement et complètement le mode d'emploi de la radio.
2. Conservez soigneusement ce mode d'emploi.
3. Tenez compte de tous les avertissements.
4. Suivez toutes les instructions.
5. Nettoyez la radio exclusivement avec un linge propre et sec.
6. N'obstruez pas les ouvertures d'aération. Installez la radio conformément aux instructions.
7. N'installez pas la radio à proximité de sources de chaleur (radiateurs de chauffage, grilles d'aération, fours et autres appareils (amplificateurs compris) qui génèrent de la chaleur.
8. Utilisez exclusivement les pièces et accessoires prévus par le fabricant.
9. Utilisez la radio exclusivement sur un support mobile, un présentoir, un trépied, un support mural ou une table recommandé par le fabricant ou vendu avec la radio. Lors de l'utilisation d'un support mobile, soyez prudent en déplaçant l'ensemble support/radio, de façon à éviter de vous blesser en cas de chute de la radio.
10. Retirez la fiche du cordon d'alimentation de la radio de la prise de courant pendant un orage ou lorsque la radio n'est pas utilisée pendant un certain temps.
11. Confiez toute réparation ou tout entretien à un personnel qualifié. Une réparation ou un entretien est nécessaire lorsque la radio, le cordon d'alimentation ou la fiche a été endommagé, lorsqu'un liquide a été renversé sur la radio et a pénétré dans celle-ci, lorsque des objets sont tombés sur la radio et ont pénétré dans celle-ci, lorsque la radio a été exposée à la pluie ou à l'humidité, lorsque la radio ne fonctionne pas normalement ou lorsque la radio est tombée d'une certaine hauteur.
12. Afin d'éviter tout risque d'incendie ou d'électrocution, n'exposez pas la radio à la pluie et à l'humidité.
13. Ne tentez jamais de démonter la radio. Celle-ci ne comporte aucun élément qui soit réparable par l'utilisateur.
14. Ne posez jamais sur la radio des objets dégageant de la chaleur ou présentant une flamme nue.
15. Lors d'une utilisation à l'air libre par temps humide ou pluvieux, faites fonctionner la radio sur piles afin d'éviter tout risque d'électrocution. Afin de prévenir le risque d'électrocution lorsque la radio a été exposée à l'eau ou à la pluie, le cordon d'alimentation ainsi que la fiche doivent être complètement séchés avant d'insérer la fiche du cordon d'alimentation de la radio dans une prise de courant.
16. La prise de courant doit être proche de la radio et rester toujours accessible, de sorte que seule la fiche du cordon de la radio doit être retirée de la prise de courant en cas d'urgence.
17. Les informations légales concernant la radio se trouvent sur le côté de celle-ci.
18. Cette radio est protégée contre la poussière et les projections d'eau (IP45).
19. En cas de perturbations provoquées par une décharge électrostatique, l'adaptateur AC/DC doit être retiré un bref instant de la prise de courant secteur.
20. Utilisez exclusivement l'adaptateur AC/DC fourni avec la radio :  
Modèle ATL : DCL25AF-120200  
Entrée : AC 110-240V 50/60Hz  
Sortie : 12V DC 2A



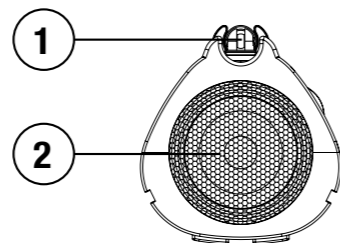
21. Pour éviter des dégâts auditifs, n'écoutez pas à un Volume trop élevé pendant de longues périodes et n'approchez pas vos oreilles trop près du haut-parleur.
22. Sous l'environnement avec une perturbation de l'immunité conduite / Immunité rayonnée, l'échantillon peut mal fonctionner. Il se récupérera automatiquement à la normale lorsque la perturbation de l'immunité entraînée / l'immunité rayonnée s'est arrêtée.
23. Cet appareil doit être utilisé en climat modéré.



## Commandes

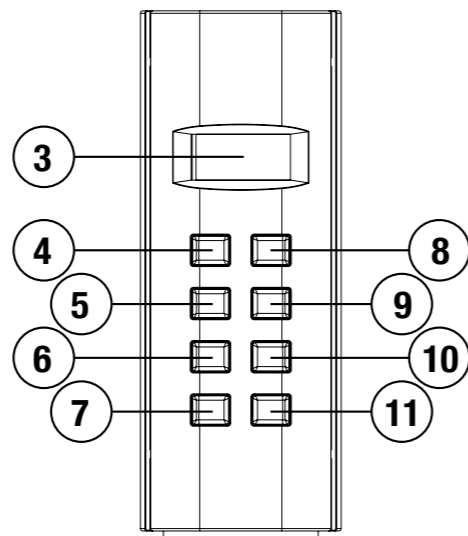
### Face supérieure

1. Antenne
2. Haut-parleur



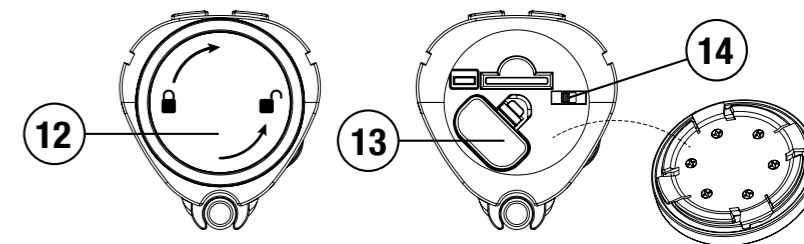
### Face avant

3. Ecran d'affichage LCD
4. Touche de diminution du Volume (-)
5. Touche Tuning (◀◀)
6. Touche de Menu-Preset
7. Touche ON/OFF (standby/veille)
8. Touche d'augmentation du Volume (+)
9. Touche Tuning (▶▶)
10. Touche Select/Info
11. Touche de sélection de la source audio (Source)



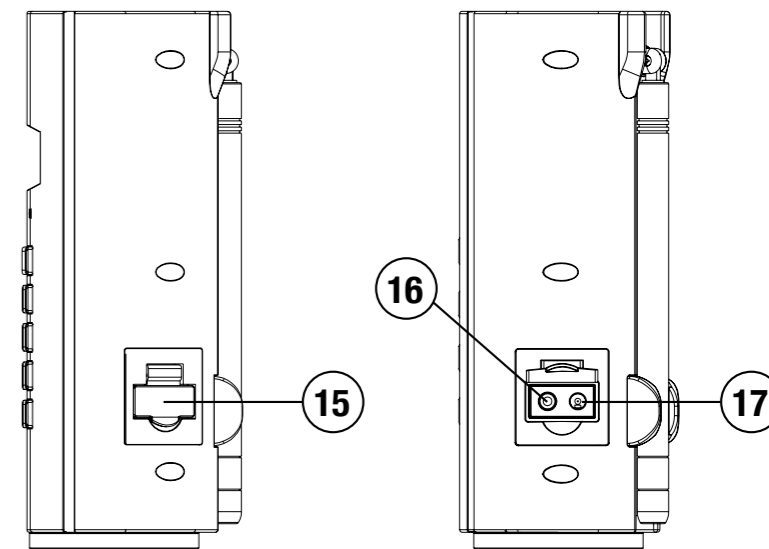
## Face inférieure

12. Pied en caoutchouc
13. Couvercle du logement des piles
14. Interrupteur de sélection du type de piles



## Côtés

15. Coiffe en caoutchouc
16. Entrée Aux-In
17. Entrée adaptateur AC/DC



## ALIMENTATION ELECTRIQUE

### Utilisation sur courant secteur

1. Avant d'insérer l'adaptateur AC/DC dans une prise de courant secteur, assurez-vous que la tension du courant secteur soit correcte et que l'**interrupteur de sélection du type de piles** se trouve dans la bonne position : **ALKALINE OFF** en l'absence de piles ou lorsque vous utilisez des piles alcalines / **NiMH ON** lorsque vous utilisez des piles NiMH.
2. Lorsque vous utilisez des piles alcalines et lorsque l'interrupteur de sélection du type de piles se trouve positionné sur **ALKALINE OFF**, les piles seront déconnectées automatiquement lorsque la radio est utilisée sur courant secteur.
3. Lorsque vous utilisez des piles NiMH et lorsque l'**interrupteur de sélection du type de piles** se trouve positionné sur **NiMH ON**, les piles seront rechargées automatiquement lorsque la radio est utilisée sur courant secteur.
4. N'utilisez jamais l'adaptateur AC/DC sous la pluie ou dans un environnement humide, de façon à éviter un court-circuit ou la pénétration d'humidité dans la radio. Utilisez dans ce cas la radio uniquement avec des piles et conservez la coiffe en caoutchouc soigneusement fermée.

**Remarque :** Afin de déconnecter la radio du courant secteur, l'adaptateur AC/DC doit être retiré entièrement de la prise de courant secteur. L'adaptateur AC/DC et le cordon d'alimentation doivent rester accessibles à tout moment. En cas de perturbations provoquées par une décharge électrostatique, l'adaptateur AC/DC doit être retiré un bref instant de la prise de courant secteur.

### Utilisation sur piles

1. Pour ouvrir le logement des piles, enlevez d'abord le pied en caoutchouc situé à la base de la radio. Tournez à cet effet le pied en caoutchouc dans le sens inverse des aiguilles d'une montre.
2. Desserrez ensuite la vis du couvercle du logement des piles à l'aide d'un tournevis et ouvrez le couvercle.
3. Insérez 6 piles (format AM3/AA/LR6) NiMH ou alcalines dans le logement en respectant la polarité (+) et (-). Refermez ensuite le couvercle du logement et resserrez la vis du couvercle.
4. Lorsque vous utilisez des piles NiMH rechargeables, positionnez l'interrupteur de sélection du type de piles sur NiMH ON. La radio rechargera automatiquement les piles lorsqu'elle est utilisée sur courant secteur. En cours de charge des piles, l'icône "Piles" clignotera à l'écran d'affichage LCD.
5. Lorsque vous utilisez des piles alcalines, positionnez l'interrupteur de sélection du type de piles sur Alkaline OFF. Les piles alcalines ne sont pas rechargeables.

6. Remontez le pied en caoutchouc de façon à éviter la pénétration d'humidité ou de poussière dans la radio. Tournez à cet effet le pied en caoutchouc dans le sens des aiguilles d'une montre.
7. Lorsque la radio n'est pas utilisée pendant un certain temps, il est recommandé de retirer les piles de la radio.

La capacité approximative des piles est affichée à l'écran LCD de la radio au moyen d'une icône "Piles" (4 niveaux). Lorsque la capacité des piles est très faible, le message "Battery low!" apparaîtra à l'écran et l'icône "Piles" représente une pile vide. Les piles doivent dans ce cas être remplacées ou rechargées sans tarder, de façon à garantir le fonctionnement normal de la radio.

### Avertissement :

Il existe un risque d'explosion lorsque les piles ne sont pas remplacées correctement. Remplacez celles-ci exclusivement par des piles de type identique ou équivalent.

Assurez-vous que l'**interrupteur de sélection du type de piles** se trouve dans la bonne position.

Une pile alcaline n'est pas rechargeable. Ne tentez jamais de recharger des piles alcalines. Ne mélangez jamais différents types de piles.

Ne mélangez jamais des piles chargées et des piles déchargées.

Evitez d'exposer les piles à des chaleurs excessives (soleil, feu ou source de chaleur similaire).

Les piles ne peuvent jamais être détruites par incinération ni éliminées avec les ordures ménagères. Les piles usagées doivent être confiées à un centre de recyclage agréé.

## INFORMATIONS IMPORTANTES CONCERNANT LA RECHARGE ET L'UTILISATION DE PILES RECHARGEABLES

1. **Rechargez les piles au moins tous les deux mois.**
2. Assurez-vous que l'**interrupteur de sélection du type de piles** se trouve positionné sur "**NiMH ON**".
3. **Installez les piles dans le logement des piles en respectant la polarité (+ et -).**
4. **Première utilisation : Rechargez les piles neuves en un seul cycle de charge ininterrompu jusqu'à ce qu'elles soient complètement rechargées.** Ce premier cycle de charge prendra plus de temps qu'un cycle de charge normal. Afin d'augmenter la durée de vie des piles, il est préférable de toujours recharger celles-ci en un seul cycle de charge ininterrompu jusqu'à ce qu'elles soient complètement rechargées. Evitez de recharger les piles lorsque leur charge est encore suffisante.
5. Des piles neuves atteindront leur pleine capacité seulement après un nombre de cycles d'utilisation (décharge-recharge).



6. Lors d'une utilisation fréquente de la radio, laissez le groupe de piles complet dans la radio. N'utilisez pas les piles à d'autres fins. N'enlevez jamais quelques piles de la radio en vue de les utiliser à d'autres fins. Il en résultera inévitablement un mélange de piles (complètement) rechargées et de piles (partiellement) déchargées.
7. Rechargez les piles à une température ambiante entre 5°C et 35°C. Une température ambiante supérieure ou inférieure ne permet pas de recharger complètement les piles.
8. Etant donné la capacité élevée des piles fournies, le cycle de charge complet (piles vides -> piles pleines) de celles-ci peut prendre plusieurs heures.
9. Ne rechargez pas les piles lorsque la radio est chaude ou exposée à la chaleur ou à une source de chaleur.
10. Il est conseillé de nettoyer de temps à autre les contacts métalliques des piles et du chargeur dans la radio au moyen d'un spray spécial pour composants électroniques.
11. N'utilisez jamais un mélange d'anciennes piles rechargeables et de piles rechargeables neuves.
12. N'utilisez jamais un mélange de piles rechargeables et de piles non rechargeables.
13. N'utilisez jamais un mélange de piles rechargeables déchargées et de piles rechargeables complètement rechargées.
14. N'utilisez jamais un mélange de piles présentant des capacités mAh différentes.
15. N'utilisez jamais des piles endommagées, déformées ou présentant des fuites.
16. La capacité approximative des piles est affichée à l'écran LCD de la radio au moyen d'une icône "Pile". Celle-ci est susceptible de varier en fonction du type de piles dans la radio.
17. Les piles sont susceptibles de devenir chaudes en cours de recharge.
18. Par temps froid, la capacité des piles sera inférieure à la capacité de celles-ci à température ambiante normale.
19. Etant donné que les piles sont des consommables, celles-ci ne sont pas couvertes par la garantie de la radio.
20. Il est conseillé d'utiliser des piles rechargeables PerfectPro, étant donné que la radio et le chargeur interne sont conçus pour être utilisés avec celles-ci.

## FONCTIONS

1. **Allumage et extinction de la radio**  
Appuyez sur la **touche ON/OFF** pour allumer la radio ou remettre celle-ci en mode Standby (Veille).
2. **Sélection du mode DAB / FM / Bluetooth ou AUX-IN**  
Appuyez sur la **touche Source** (touche de sélection de la source audio) pour passer d'un mode à l'autre.

3. **Réglage de la radio sur la station souhaitée**  
Appuyez sur les **touches TUNING** ( ◀◀ et ▶▶ ).
4. **Réglage du volume**  
Appuyez sur les **touches VOLUME** (+ et -).
5. **Réglage de la tonalité**  
Appuyez sur la **touche TONE** et régler les basses et les aigues au moyen des **touches VOLUME** (+ et -).
6. **Utilisation de la fonction AUX-IN**  
Raccordez le lecteur externe à l'entrée AUX-IN de Ø3.5 mm et démarrez le lecteur externe.



## PREMIERE UTILISATION DE LA RADIO

1. Posez la radio sur une surface stable et plane.
2. Raccordez le fil de l'adaptateur AC/DC à la radio et insérez celui-ci dans une prise de courant secteur.
3. Relevez l'antenne située à l'arrière de la radio. Orientez l'antenne verticalement par rapport à la radio.
4. Le message "WELCOME" (BIENVENUE) apparaîtra à l'écran pendant quelques secondes. La radio effectuera ensuite automatiquement un balayage de la bande de fréquences DAB III et de la bande FM. "Scanning" sera affiché à l'écran pour la bande de fréquences DAB et "Auto" sera affiché à l'écran pour la bande de fréquences FM.
5. Les 10 stations FM offrant le meilleur signal de réception seront alors mises dans la mémoire de stations présélectionnées et les 10 stations DAB disponibles seront placées dans la liste de stations DAB. Après ce premier balayage, la radio se mettra en mode Standby (Veille) et l'heure et la date actualisées seront ensuite affichées à l'écran.
6. En l'absence de réception d'un signal radio, l'heure et la date ne seront pas actualisées. Il peut alors être nécessaire de placer la radio dans un autre endroit offrant une meilleure réception radio.

## MODE DAB (DAB – DAB+)

### Utilisation de la radio en mode DAB

1. Relevez l'antenne située à l'arrière de la radio. Orientez l'antenne verticalement par rapport à la radio. Appuyez sur la **touche ON/OFF** pour allumer la radio.
2. Appuyez sur la **touche Source** (touche de sélection de la source audio) pour sélectionner le mode DAB.
3. La première station DAB (dans l'ordre alphanumérique 0...9, A...Z) de la liste de stations DAB sera alors audible et le nom de la station DAB sera affiché à l'écran. Si la radio a déjà été utilisée, la dernière station DAB sélectionnée sera dans ce cas audible.
4. Lorsqu'aucun signal radio n'a été trouvé, le message "No stations available" (Aucune station disponible) sera affiché à l'écran. Il peut être nécessaire dans ce cas de placer la radio dans un autre endroit offrant une meilleure réception radio. Vous pouvez ensuite effectuer un Auto Scan pour rechercher des stations DAB. Voir le point "**Recherche de nouvelles stations en mode DAB**".

### Sélection d'une station en mode DAB

1. Appuyez sur la **touche ON/OFF** pour allumer la radio.

2. Appuyez sur la **touche Source** (touche de sélection de la source audio) pour sélectionner le mode DAB.
3. Le message "Now tuning" (Syntonisation en cours) apparaîtra pendant quelques secondes à l'écran.
4. Le nom de la station DAB trouvée sera ensuite affiché à l'écran.
5. Appuyez sur les **touches TUNING** ( ◀◀ et ▶▶ ) pour parcourir la liste des stations DAB disponibles.
6. Lorsque le nom de la station DAB souhaitée apparaît à l'écran, appuyez sur la touche Select/Info pour sélectionner la station DAB en question.

Lorsque le message "No stations available" (Aucune station disponible) apparaît à l'écran après avoir sélectionné une station DAB, il peut être nécessaire dans ce cas de placer la radio dans un autre endroit offrant une meilleure réception radio.

### Affichage en mode DAB

En mode DAB, la radio est capable d'afficher diverses informations.

1. Appuyez sur la **touche Select/Info** pour parcourir les différentes informations disponibles.
  - a. Texte défilant Affiche des messages de la station DAB que vous écoutez, sous la forme d'un texte défilant.
  - b. Force du signal Affiche la force du signal de réception de la station DAB que vous écoutez. **Le bloc ouvert indique le niveau minimum du signal nécessaire pour obtenir une bonne réception.**
  - c. Type de programme Affiche le type de programme que vous écoutez, par exemple Pop, Classique, Actualités, etc.
  - d. Nom du multiplex Affiche le nom du multiplex auquel la station DAB appartient.
  - e. Canal et fréquence Affiche le numéro et la fréquence de la station DAB que vous écoutez.
  - f. Débit binaire et type audio Affiche le débit binaire et le format audio de l'émission.
  - g. Heure et date Affiche l'heure exacte et la date.

### Recherche automatique de nouvelles stations en mode DAB

De temps à autre, il se peut que de nouvelles stations DAB soient disponibles. Pour trouver celles-ci :

1. En mode DAB, appuyez sur la **touche Menu**. "Full scan" (Balayage complet) sera ensuite affiché à l'écran.
2. Appuyez sur la **touche Select/Info**. La radio effectuera alors un balayage complet des fréquences de la DAB Bande III. Lorsque la radio trouve de nouvelles stations DAB, celles-ci seront ajoutées à la liste des stations DAB disponibles.

## Recherche manuelle de stations en mode DAB

Une recherche manuelle vous offre la possibilité de sélectionner directement des stations dans la DAB Bande III.

1. En mode DAB, appuyez sur la **touche Menu** et les **touches TUNING** (◀◀ ou ▶▶) jusqu'à ce que "Manual tuning" (Syntonisation manuelle) soit affiché à l'écran. Appuyez ensuite sur la touche **Select/Info**. Le canal DAB et les fréquences correspondantes seront alors affichés à l'écran.
2. Appuyez sur les **touches TUNING** (◀◀ ou ▶▶) pour sélectionner la fréquence DAB souhaitée. Appuyez ensuite sur la **touche Select/Info** pour confirmer votre sélection.
3. Lorsque la radio capte un signal DAB, le nom de la station DAB sera affiché à l'écran.
4. L'affichage de la force du signal indique le niveau du signal capté par la radio. Le bloc ouvert indique le niveau minimum du signal nécessaire pour obtenir une bonne réception. L'affichage de la force du signal change lorsque vous changez la position de l'antenne et/ou de la radio.
5. Répétez les points 1 à 4 ci-dessus pour sélectionner d'autres canaux et les fréquences DAB souhaitées.
6. Appuyez deux fois sur la touche **Menu** pour revenir au menu DAB standard.

## Réglages Dynamic Range Control (DRC) en mode DAB

La fonction DRC permet de rendre des sons doux plus audibles lorsque la radio est utilisée dans un environnement ou un endroit particulièrement bruyant.

1. En mode DAB, appuyez sur la touche **Menu** et les **touches TUNING** (◀◀ ou ▶▶) jusqu'à ce que "DRC value" (Valeur DRC) soit affiché à l'écran. Appuyez ensuite sur la **touche Select/Info**.
2. Appuyez sur les **touches TUNING** (◀◀ ou ▶▶) pour sélectionner le réglage DRC souhaité (normalement, la fonction DRC est désactivée).

DRC off	fonction DRC désactivée. Le signal DRC émis sera ignoré.
DRC high	niveau DRC réglé à 100 % du niveau émis.
DRC low	niveau DRC réglé à 50 % du niveau émis.
3. Appuyez sur la **touche Select/Info** pour confirmer votre sélection et revenir au menu DAB standard.

**Remarque** : Toutes les stations DAB n'utilisent pas la fonction DRC. Lorsqu'une station DAB n'émet aucune information DRC, les réglages DRC n'auront aucun effet sur la radio.

## Suppression de stations (Fonction "Prune") en mode DAB

Lorsque vous vous rendez dans une autre région ou dans un autre pays, il se peut que certaines stations DAB ne soient plus disponibles. Il se peut également que certaines stations DAB arrêtent d'émettre ou changent de fréquence. La fonction "Prune" (Suppression) permet de supprimer de la liste des stations DAB, les stations DAB qui ne sont plus disponibles.

1. En mode DAB, appuyez sur la **touche Menu** et les **touches TUNING** (◀◀ ou ▶▶) jusqu'à ce que "Prune" (Suppression) soit affiché à l'écran. Appuyez ensuite sur la **touche Select/Info**.
2. Appuyez sur les **touches TUNING** (◀◀ ou ▶▶) pour sélectionner "Yes" ("Oui") ou "No" ("Non") (Le réglage standard est Non).
3. Appuyez sur la **touche Select/Info** pour confirmer votre sélection. Le menu précédent sera ensuite affiché. Appuyez sur la **touche Menu** pour revenir au menu DAB standard.

**Remarque** : Lorsque vous vous rendez dans une autre région ou dans un autre pays, il est conseillé d'effectuer une recherche des nouvelles stations DAB disponibles. Voir à cet effet le point "Recherche de nouvelles stations en mode DAB".

## MODE FM

### Utilisation de la radio en mode FM

### Recherche automatique de stations en mode FM

1. Appuyez sur la **touche ON/OFF** pour allumer la radio.
2. Appuyez sur la **touche Source** (touche de sélection de la source audio) pour sélectionner le mode FM.
3. Lors de la première utilisation de la radio, la station FM dans la mémoire de présélection 1 sera sélectionnée. Si la radio a déjà été utilisée dans le passé, la dernière station FM écoutée sera dans ce cas sélectionnée.
4. Pour rechercher une station FM, appuyez sur les **touches TUNING** (◀◀ ou ▶▶). La radio lancera alors la recherche et s'arrêtera automatiquement lorsqu'elle trouve une station FM offrant une bonne réception.
5. Après quelques secondes, le nom de la station FM sera affiché à l'écran si des informations RDS sont disponibles et reçues par la radio.
6. Pour rechercher d'autres stations FM, appuyez de nouveau sur les **touches TUNING** (◀◀ ou ▶▶).
7. Pour rechercher des stations FM dans le sens opposé, appuyez sur la **touche TUNING** ▶▶ (pour rechercher des stations FM depuis les basses fréquences vers les hautes fréquences) ou sur la **touche TUNING** ◀◀ (pour rechercher des stations FM depuis les hautes fréquences vers les basses fréquences).

8. Lorsque la fin de la plage de fréquences FM est atteinte, la radio recommencera la recherche depuis l'autre extrémité de la plage de fréquences FM.

#### Recherche manuelle de stations en mode FM

1. Appuyez sur la **touche ON/OFF** pour allumer la radio.
2. Appuyez sur la **touche Source** (touche de sélection de la source audio) pour sélectionner le mode FM.
3. Appuyez brièvement sur les **touches TUNING** (◀◀ ou ▶▶) pour atteindre la fréquence ou la station FM souhaitée. La fréquence changera par incréments de 50 kHz.
4. Orientez éventuellement l'antenne pour obtenir une meilleure réception. Après quelques secondes, le nom de la station FM sera affiché à l'écran si des informations RDS sont disponibles et reçues par la radio.
5. Lorsque la fin de la plage de fréquences FM est atteinte, la radio recommencera la recherche depuis l'autre extrémité de la plage de fréquences FM.

#### Système d'informations RDS en mode FM

Le RDS (Radio Data System) est un système d'informations par lequel des informations numériques non audibles sont transmises en plus du programme radio FM normal. Lorsque la radio capte une station RDS et que la réception est suffisamment bonne, le nom de la station FM apparaîtra à l'écran LCD. Un certain temps peut s'écouler avant que les informations RDS soient disponibles.

#### Activation du système d'informations RDS

Lorsque vous écoutez une station FM comportant le système RDS, appuyez plusieurs fois sur la touche Select/Info pour parcourir les informations RDS disponibles. Ceci fonctionne uniquement lorsque la réception est suffisamment bonne et claire.

- |                            |   |
|----------------------------|---|
| a. Service Programme (PS)  | Affiche le nom de la station FM que vous écoutez.   |
| b. Radio Texte (RT)        | Affiche des messages de la station FM que vous écoutez, sous la forme d'un texte défilant.  |
| c. Type de Programme (PTY) | Affiche le type de station FM que vous écoutez. Exemples : Pop, Classique, Actualités, etc. |
| d. Fréquence               | Affiche la fréquence de la station FM que vous écoutez.                                     |
| e. Force du Signal (SGLV)  | Affiche la force du signal de réception de la station FM que vous écoutez.                  |
| f. Heure et Date           | Affiche l'heure exacte (horloge 24 heures) et la date.                                      |

#### Réglage de la sensibilité de balayage en mode FM

La radio effectue normalement un balayage de toutes les stations FM, y compris celles dont le signal est faible. Il vous est toutefois possible de régler la fonction de balayage de telle sorte que seules les stations FM dont le signal est fort assez pour offrir une bonne réception, soient captées.

1. Appuyez sur la **touche ON/OFF** pour allumer la radio.
2. Appuyez sur la **touche Source** (touche de sélection de la source audio) pour sélectionner le mode FM.
3. Appuyez sur la **touche Menu**. "Scan" (Réglage de la sensibilité de balayage) sera ensuite affiché à l'écran.
4. Appuyez sur la **touche Select/Info**.
5. Appuyez sur les **touches TUNING** (◀◀ ou ▶▶) pour sélectionner "All" (Toutes les stations) ou "Strong" (Stations au signal fort). Le réglage standard est "Strong" (Stations au signal fort). Lorsque l'option "Strong" (Stations au signal fort) a été sélectionnée, la radio captera, lors du balayage des stations FM, uniquement les stations FM dont le signal est fort.
6. Appuyez sur la touche Select/Info pour confirmer le réglage.

#### PRESELECTION DE STATIONS

##### Mémoire de stations présélectionnées

La radio possède 20 emplacements de mémoire de stations présélectionnées, 10 pour la FM et 10 pour la DAB. Les stations présélectionnées seront conservées dans la mémoire de la radio même en cas de coupure de courant.

1. Appuyez sur la **touche ON/OFF** pour allumer la radio.
2. Appuyez sur la **touche Source** (touche de sélection de la source audio) pour sélectionner le mode FM ou DAB.
3. Sélectionnez la station souhaitée.
4. Appuyez (1 sec.) sur la touche Menu-Preset jusqu'à ce que "Preset" ("Présélection") soit affiché à l'écran.
5. Appuyez sur les **touches TUNING** (◀◀ ou ▶▶) pour sélectionner l'emplacement dans la mémoire de stations présélectionnées (de P1 jusqu'à P10).
6. Appuyez (1 sec.) ensuite sur la **touche Select/Info** pour confirmer l'emplacement dans la mémoire. "Saved" (Station mémorisée) sera ensuite affiché à l'écran.
7. Répétez les points ci-dessus pour les autres présélections.
8. Les stations présélectionnées et mémorisées peuvent être effacées en répétant les points ci-dessus.

## Rappel de stations présélectionnées

1. Appuyez sur la touche ON/OFF pour allumer la radio.
2. Appuyez sur la touche Source (touche de sélection de la source audio) pour sélectionner le mode FM ou DAB.
3. Appuyez (1 sec.) sur la touche Menu-Preset jusqu'à ce que "Preset" ("Présélection") soit affiché à l'écran. Le numéro de la présélection et la fréquence de la station seront ensuite affichés à l'écran.
4. Appuyez sur les touches TUNING (◀◀ ou ▶▶) pour sélectionner la station souhaitée. Appuyez ensuite sur la touche Select/Info pour confirmer votre choix.

## MODE AUX-IN

Une prise **Aux-In** de 3,5 mm est prévue sur le côté de la radio, derrière la coiffe en caoutchouc, et permet d'y brancher un appareil audio externe tel que lecteur MP3 ou lecteur de CD (non fourni avec la radio).

1. Raccordez un lecteur externe à la **prise Aux-In**.
2. Appuyez sur la **touche Source** (touche de sélection de la source audio) pour sélectionner le mode AUX-IN. "AUX IN" sera alors affiché à l'écran.
3. Allumez et démarrez le lecteur externe.
4. Réglez le volume de la radio et du lecteur externe au niveau d'écoute souhaité.

**Remarque** : N'utilisez jamais la prise AUX-IN sous la pluie ou dans un environnement humide, de façon à éviter que de l'humidité pénètre dans la radio. Conservez dans ce cas la coiffe en caoutchouc toujours soigneusement fermée.

La fonction de gestion automatique de l'alimentation sera activée en mode AUX-IN. En l'absence de signal d'entrée\* à la prise AUX-IN pendant plus de 15 minutes, la radio Worktube se mettra automatiquement en mode standby (veille). Pour rallumer la radio, appuyez sur la **touche ON/OFF**.

\* Lorsque le signal d'entrée du lecteur externe est trop faible et ne peut être détecté pendant plus de 15 minutes par la fonction de gestion automatique de l'alimentation, la radio Worktube se mettra automatiquement en mode standby (veille). Afin d'éviter que la radio se mette en mode standby (veille), augmentez légèrement le volume de sortie du lecteur externe jusqu'à ce que le signal soit détecté.

## REGLAGE MANUEL DE L'HEURE ET DE LA DATE

L'heure et la date peuvent être réglées manuellement uniquement lorsque la radio est en mode standby (veille). Lorsqu'aucune touche n'est activée pendant 5 secondes, la radio quittera le mode de réglage de l'heure et l'heure réglée sera annulée.

1. Appuyez sur la **touche Menu** pendant 3 secondes jusqu'à ce que "CLOCK SET" soit affiché à l'écran.
2. Appuyez sur la **touche Select/Info**. Les chiffres correspondant aux heures clignoteront alors à l'écran.
3. Appuyez sur les **touches TUNING** (◀◀ ou ▶▶) pour régler l'heure.
4. Appuyez sur la **touche Select/Info** pour confirmer. Les chiffres correspondant aux minutes clignoteront ensuite à l'écran.
5. Appuyez sur les **touches TUNING** (◀◀ ou ▶▶) pour régler les minutes.
6. Appuyez sur la **touche Select/Info** pour confirmer. Les chiffres correspondant aux jours clignoteront ensuite à l'écran.
7. Appuyez sur les **touches TUNING** (◀◀ ou ▶▶) pour régler le jour exact.
8. Appuyez sur la **touche Select/Info** pour confirmer. Les chiffres correspondant aux mois clignoteront ensuite à l'écran.
9. Appuyez sur les **touches TUNING** (◀◀ ou ▶▶) pour régler le mois exact.
10. Appuyez sur la **touche Select/Info** pour confirmer. Les chiffres correspondant aux années clignoteront ensuite à l'écran.
11. Appuyez sur les **touches TUNING** (◀◀ ou ▶▶) pour régler l'année exacte.
12. Appuyez sur la **touche Select/Info** pour confirmer.
13. "SYNCLOCK ON" (Synchronisation de l'heure) apparaîtra ensuite à l'écran.
14. Appuyez sur les **touches TUNING** (◀◀ ou ▶▶) pour sélectionner "SYNCLOCK ON" ou "SYNCLOCK OFF".
15. Appuyez sur la **touche Select/Info** pour confirmer votre sélection.

### Synchronisation de l'heure par stations RDS

Certaines stations RDS émettent un signal horaire. Lorsque la réception est bonne et que vous avez sélectionné l'option "SYNCLOCK ON", l'heure sera actualisée automatiquement. La synchronisation de l'heure peut prendre quelques minutes. L'actualisation automatique de l'heure sera toujours activée lorsque la radio est allumée en mode de réception FM et capte une station RDS.

## REGLAGE DE L'ALARME

L'alarme peut être réglée uniquement lorsque la radio est en mode standby (veille). Lorsqu'aucune touche n'est activée pendant 5 secondes, la radio quittera le mode de réglage de l'alarme et le réglage sera annulé.

1. Appuyez sur la **touche Menu** pendant 3 secondes et ensuite sur la touche Menu jusqu'à ce "ALARM SET" soit affiché à l'écran.
2. Appuyez sur la **touche Select/Info**. Les chiffres correspondant aux heures clignoteront alors à l'écran.
3. Appuyez sur les **touches TUNING** (◀◀ ou ▶▶) pour régler l'heure.
4. Appuyez sur la **touche Select/Info** pour confirmer. Les chiffres correspondant aux minutes clignoteront ensuite à l'écran.
5. Appuyez sur les **touches TUNING** (◀◀ ou ▶▶) pour régler les minutes.
6. Appuyez sur la touche Select/Info pour confirmer.
7. "ALARM SOURCE" sera ensuite affiché à l'écran. Vous pouvez choisir entre "BUZZER" et "FM RADIO". Appuyez sur les **touches TUNING** (◀◀ ou ▶▶) pour sélectionner BUZZER" ou "FM RADIO". Si vous sélectionnez "FM RADIO", la dernière station FM écoutée sera audible lorsque l'alarme se déclenche.
8. Appuyez sur la touche Select/Info pour confirmer votre sélection.
9. "VOL XX" sera ensuite affiché à l'écran. Appuyez sur les **touches TUNING** (◀◀ ou ▶▶) pour régler le volume de l'alarme.
10. Appuyez sur la **touche Select/Info** pour confirmer.

### Activation/désactivation de l'alarme

1. Pour activer l'alarme, appuyez sur la **touche Select/Info** pendant 2 secondes, lorsque la radio est en mode standby (veille). Une icône d'alarme sera alors affichée dans le coin supérieur gauche de l'écran. Pour désactiver l'alarme, appuyez de nouveau sur la **touche Select/Info** pendant 2 secondes. L'icône d'alarme disparaîtra alors de l'écran.
2. Pour arrêter l'alarme lorsque celle-ci se déclenche, appuyez simplement sur la **touche ON/OFF**.

## VOLUME ET SON

Pour régler le volume, appuyez simplement sur les **touches VOLUME** (– ou +) lorsque la radio fonctionne en mode DAB/FM/Bluetooth/AUX-IN. Le niveau de volume (de 00 à 40) sera affiché à l'écran LCD.

**Remarque** : Lorsque la radio fonctionne sur piles, le son sera déformé au niveau de volume le plus élevé si la charge des piles est particulièrement faible.

### SON 360 DEGRES

Le haut-parleur unique au néodyme situé au-dessus de la radio produit un son à 360 degrés. Suggestion : Mettez la radio dans un coin ou près d'un mur pour améliorer la sonorité et augmenter l'effet des basses.

## REGLAGE DE LA TONALITE

La fonction de **réglage de la tonalité (Tone)** vous permet d'ajuster le niveau des basses et des aigues en fonction de vos goûts personnels.

1. Appuyez sur la **touche ON/OFF** pour allumer la radio.
2. Appuyez sur la **touche TONE**. "BASS 0" (BASSES 0) sera alors affiché à l'écran.
3. Appuyez sur les **touches VOLUME** (– et +) pour régler les basses au niveau souhaité.
4. Appuyez sur la **touche Select/Info** pour confirmer. "TREBLE 0" (AIGUES 0) sera ensuite affiché à l'écran.
5. Appuyez sur les **touches VOLUME** (– et +) pour régler les aigues au niveau souhaité.
6. Appuyez sur la **touche Select/Info** pour confirmer votre sélection.

## SELECTION DE LA LANGUE

La radio peut être réglée de façon à ce que l'affichage du menu soit dans la langue de votre choix.

1. Appuyez sur la **touche ON/OFF** pour allumer la radio.
2. Appuyez sur la **touche Menu** et ensuite sur les **touches TUNING** (◀◀ ou ▶▶) jusqu'à ce que "System" soit affiché à l'écran.
3. Appuyez sur la **touche Select/Info** et ensuite sur les **touches TUNING** (◀◀ ou ▶▶) jusqu'à ce que "Language" (Langue) soit affiché à l'écran.
4. Appuyez sur la **touche Select/Info** et ensuite sur les **touches TUNING** (◀◀ ou ▶▶) pour entrer dans le menu de sélection de la langue.
5. Appuyez sur les **touches TUNING** (◀◀ ou ▶▶) pour sélectionner la langue souhaitée. Le réglage standard est l'anglais.
6. Appuyez sur la **touche Select/Info** pour confirmer votre sélection.

## VERSION DU LOGICIEL

Il n'est pas possible de modifier l'affichage de la version du logiciel. Cet affichage est donné uniquement à titre d'information. Il est cependant possible de voir la version du logiciel dans le menu DAB ou FM.

1. Appuyez sur la **touche ON/OFF** pour allumer la radio.
2. Appuyez sur la **touche Source** (touche de sélection de la source audio) pour sélectionner le mode FM ou DAB.
3. Appuyez sur la **touche Menu** et ensuite sur les **touches TUNING** (◀◀ ou ▶▶) jusqu'à ce que "System" soit affiché à l'écran.
4. Appuyez sur la **touche Select/Info** et ensuite sur les **touches TUNING** (◀◀ ou ▶▶) jusqu'à ce que "SW version" (Version du logiciel) soit affiché à l'écran.
5. Appuyez sur la **touche Select/Info** pour voir la version du logiciel.
6. Appuyez de nouveau sur la **touche Select/Info** pour revenir au menu standard de la radio.

**Remarque :** La prise USB dans le logement des piles est destinée à la mise à jour éventuelle du logiciel si nécessaire.

## REINITIALISATION DU SYSTEME

Lorsque la radio ou l'affichage ne fonctionne pas correctement ou en l'absence d'affichage, suivez la procédure ci-dessous.

1. Appuyez sur la **touche ON/OFF** pour allumer la radio.
2. Appuyez sur la **touche Menu** et ensuite sur les **touches TUNING** (◀◀ ou ▶▶) jusqu'à ce que "System" soit affiché à l'écran.
3. Appuyez sur la **touche Select/Info** et ensuite sur les **touches TUNING** (◀◀ ou ▶▶) jusqu'à ce que "Reset" soit affiché à l'écran.
4. Appuyez sur la **touche Select/Info**. "Reset? <No> Yes" sera alors affiché à l'écran.
5. Appuyez sur les **touches TUNING** (◀◀ ou ▶▶) pour sélectionner "Yes" si vous souhaitez réinitialiser la radio. Si ce n'est pas le cas, sélectionnez "No".
6. Appuyez sur la **touche Select/Info** pour confirmer votre sélection.
7. Une réinitialisation complète de la radio sera alors effectuée. La mémoire de stations présélectionnées sera effacée et tous les réglages personnels seront annulés. Les réglages d'usine seront ensuite restaurés. Le message "WELCOME" (BIENVENUE) sera affiché à l'écran et la radio effectuera ensuite automatiquement un balayage de la plage de fréquences DAB et FM.

En cas de perturbations provoquées par une décharge électrostatique, procédez à la réinitialisation de la radio comme décrit ci-dessus. En cas d'échec, retirez l'adaptateur AC/DC de la prise de courant secteur et enlevez les piles. Rebranchez ensuite l'adaptateur AC/DC et réinsérez les piles dans la radio.

## VERROUILLAGE DES TOUCHES

La radio est munie de la fonction Verrouillage en modes veille, DAB, FM, Bluetooth et Aux-in.

1. Appuyez et maintenez appuyé le bouton **SOURCE** pendant environ 3 secondes jusqu'à ce que l'écran affiche « Locked » (verrouillé).
2. Lorsque les touches sont verrouillées, les fonctions de la radio sont temporairement désactivées jusqu'au déverrouillage. Pendant le verrouillage, l'écran de la radio s'éclaire quelques secondes et affiche: « locked » (verrouillé) à l'écran.
3. Appuyez et maintenez appuyé le bouton **SOURCE** pendant environ 3 secondes à nouveau jusqu'à ce que l'écran affiche « unlocked » (déverrouillé). La fonction verrouillage des touches sera alors désactivée.

Remarque: Afin d'économiser l'énergie, lorsque la radio est en veille et fonctionne sur piles, la pression de certaines touches n'éclaire pas l'écran d'affichage.



## ECLAIRAGE DE L'ECRAN

### Configuration du rétro-éclairage de l'écran d'affichage LCD

1. Appuyez sur la **touche ON/OFF** pour allumer la radio.
2. Appuyez sur la **touche Menu** et ensuite sur les **touches TUNING (◀◀ ou ▶▶)** jusqu'à ce que « System » soit affiché à l'écran.
3. Appuyez sur la **touche Select/Info** et ensuite sur les **touches TUNING (◀◀ ou ▶▶)** jusqu'à ce que « LCD Backlight » soit affiché à l'écran (LCD é clairage).
4. Appuyez sur la **touche Select/Info** pour entrer dans le menu de réglage du rétro-éclairage de l'écran d'affichage LCD.
5. Appuyez sur les **touches Tuning (◀◀ ou ▶▶)** pour sélectionner « on » afin de garder le rétro-éclairage continuellement allumé lorsque la radio fonctionne sur secteur.
6. Ou appuyez sur les **touches Tuning (◀◀ ou ▶▶)** pour sélectionner « off » (par défaut) afin que lorsque vous utilisez la radio sur secteur, le rétro-éclairage reste allumé pendant environ 10 secondes à chaque fois que vous appuyez sur un bouton.
7. Appuyez sur la **touche Select/Info** pour confirmer votre choix.

Remarque: L'option de rétro-éclairage de l'écran LCD est seulement fonctionnelle sur « on » lorsque la radio fonctionne sur secteur. Lorsqu'elle fonctionne sur piles, l'option de rétro-éclairage de l'écran LCD est automatiquement sur « off » - 10 secondes d'éclairage de l'écran lorsqu'un bouton est pressé. Lorsque la radio est branchée à nouveau sur secteur, la dernière configuration choisie par l'utilisateur sera à nouveau appliquée.

## GARANTIE

Ce produit est garanti pendant deux ans.

**AVERTISSEMENT : LA GARANTIE PREND FIN LORSQUE LE BOITIER DE LA RADIO A ETE OUVERT OU LORSQUE LA RADIO A ETE MODIFIEE DE QUELQUE MANIERE QUE CE SOIT PAR L'UTILISATEUR FINAL.**

La garantie de la radio ne couvre pas :

- Les dommages et le bris résultant d'une utilisation non correcte, d'un usage abusif, d'une négligence, de modifications, d'accidents ou de réparations non autorisées.
- L'usure normale en cours d'utilisation.
- Le bris ou la courbure excessive de l'antenne.
- Les piles.

## INFORMATIONS

### Alimentation électrique

Adaptateur courant secteur  
Piles  
Piles rechargeables

AC/DC Entrée: 110-240V 50/60Hz AC~, Sortie: 12V DC 2A

6 x 1,5V (Type IEC LR6 / AM3 / format AA)

6 x 1,2V (Type HR06 / format AA/ 2500mAh NiMH piles rechargeables). Il est fortement recommandé d'utiliser les piles Perfectpro.

### Plage de fréquences

FM 87.5 – 108 MHz

DAB 174,928 – 239,200 MHz

### Spécifications

Haut-parleur  
Puissance de sortie  
Aux-In

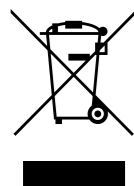
1 x Ø 2 ¼"

1 x 5 W

Entrée Ø 3.5 mm

## INFORMATIONS

### Données techniques



La radio est dépara-sitée conformément aux directives EU en vigueur.

Ce produit satisfait aux directives européennes 2006/95/CE, 2005/32/CE et 2004/108/CE.

La radio satisfait à la réglementation en matière de sécurité DIN EN 60065 (VDE 0860) et dès lors à la réglementation internationale en matière de sécurité IEC 60065.

Ne jamais ouvrir le boîtier de la radio.

Le fabricant décline toute responsabilité en cas de dommages résultant d'une utilisation non correcte ou abusive de la radio.

La plaque signalétique se trouve sur la face inférieure de la radio.

### Protection de l'environnement :



Ce produit est fabriqué avec des pièces et des matériaux de qualité, susceptibles d'être réutilisés et recyclés.

Lorsque ce produit a atteint la fin de sa vie utile, ne le jetez par conséquent pas avec les ordures ménagères ordinaires, mais confiez-le à un point de collecte et de recyclage d'appareils électriques et électroniques. Le symbole ci-contre figure à cet effet sur le produit, dans le mode d'emploi ainsi que sur l'emballage.

Veillez-vous informer auprès des autorités communales au sujet des points de collecte les plus proches de chez vous. Aidez à protéger l'environnement en recyclant les produits usagés.

## INHOUD

INHOUD .....	1
BELANGRIJKE VEILIGHEIDSIINSTRUCTIES .....	2
BEDIENINGSELEMENTEN .....	3
STROOMBRONNEN .....	5
ALGEMENE FUNCTIES .....	8
EERSTE GEBRUIK VAN DE RADIO .....	9
DAB MODUS .....	9
FM MODUS .....	13
VOORKEUZE ZENDERS INSTELLEN .....	16
AUX IN MODUS .....	17
HANDMATIG DE KLOK INSTELLEN .....	18
WEKKER INSTELLEN .....	19
VOLUME & SOUND .....	19
TOONREGELING .....	20
TAAL INSTELLEN .....	20
SOFTWARE VERSIE .....	21
SYSTEEM RESET .....	21
TOETSBLOKKERING FUNCTIE .....	22
DISPLAY VERLICHTING .....	23
GARANTIE .....	23
SPECIFICATIES .....	24

**WAARSCHUWING! DE GARANTIE VERVALT INDIEN DE BEHUIZING VAN HET APPARAAT GEOPEND IS OF INDIEN HET APPARAAT DOOR DE EINDGEBRUIKER OP ENIGERLEI WIJZE GEMODIFICEERD OF VERANDERD IS.**



## BELANGRIJKE VEILIGHEIDSINSTRUCTIES

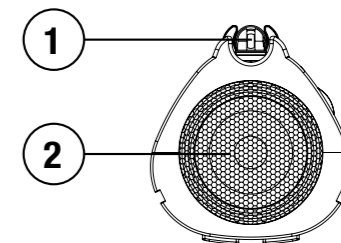
1. Lees deze instructies.
2. Bewaar deze instructies goed.
3. Neem alle waarschuwingen in acht.
4. Volg alle aanwijzingen op.
5. Reinig het uitsluitend met een droge doek.
6. Blokkeer geen ventilatieopeningen en plaats het toestel volgens de instructies.
7. Plaats het niet in de buurt van warmtebronnen zoals verwarmingen, ventilatiekleppen, ovens en andere apparaten (incl. versterkers) die warmte afgeven.
8. Gebruik uitsluitend de door de fabrikant aangegeven onderdelen/accessoires.
9. Gebruik het toestel uitsluitend met de door de fabrikant aangegeven of samen met het toestel gekochte wagentjes, standaard, driepoten, klemmen of tafel. Wanneer u een wagen gebruikt, wees dan voorzichtig bij het bewegen van de combinatie wagen/toestel om letsel door omvallen te vermijden.
10. Koppel het toestel van de stroomvoorziening af bij onweer of wanneer het langere tijd niet wordt gebruikt.
11. Laat iedere vorm van onderhoud door gekwalificeerd personeel verrichten. Een onderhoud is noodzakelijk wanneer het toestel aan de stroomkabel of stekker beschadigd werd, wanneer er vloeistof of voorwerpen in het toestel zijn binnengedrongen, wanneer het toestel aan regen of vochtigheid was blootgesteld en wanneer het niet normaal functioneert resp. gevallen is.
12. Stel het toestel noch aan regen noch aan vochtigheid bloot om het gevaar voor brand of het risico van een elektrische schok te reduceren.
13. Verwijder de afdekking niet. In het binnenste bevinden zich geen onderdelen waarvoor een onderhoud noodzakelijk is.
14. Geen voorwerpen op het apparaat plaatsen welke een bron zijn van open vlammen
15. Gebruik bij het gebruik in de open lucht op regenachtige dagen of bij vochtig weer uitsluitend batterijen om een elektrische schok te vermijden. Om elektrische schok te voorkomen, als de radio blootgesteld is geweest aan regen of water, dienen zowel het snoer als de stekker volledig gedroogd te worden alvorens de stekker in het stopcontact wordt gestoken.
16. De netstekker moet dicht bij het toestel en steeds toegankelijk zijn, zodat in geval van nood (bijv. om het toestel van het stroomnet te scheiden) alleen de stekker uit het stopcontact moet worden getrokken.
17. De productinformatie is te vinden op de onderzijde van het toestel.
18. Dit apparaat is voorzien van bescherming tegen spattend water (IP45).
19. In geval van storing ten gevolge van Electro-statische ontlading of piekspanning, verwijder de stroombron en sluit deze daarna weer aan.
20. Gebruik alleen de stroomadapter die is geleverd door de fabrikant:  
ATL model : DCL25AF-120200  
Input : AC 110-240V 50/60Hz  
Output : 12V DC 2A
21. Om mogelijke gehoorschade te voorkomen niet op een hoog volume gedurende een lange periode luisteren.
22. In een omgeving met lijnstoring / radiosensitiviteit kan het monster storingen veroorzaken. Het zal automatisch weer normaliseren wanneer de lijnstoring / radiosensitiviteit is gestopt.
23. Het apparaat moet gebruikt worden in een gemiddeld klimaat.



## BEDIENINGSELEMENTEN

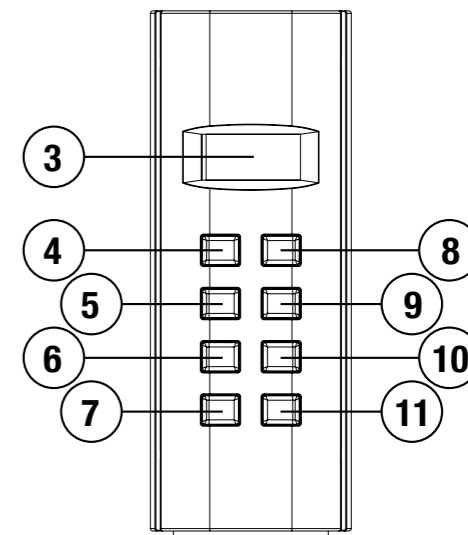
### Bovenzijde

1. Antenne
2. Luidspreker



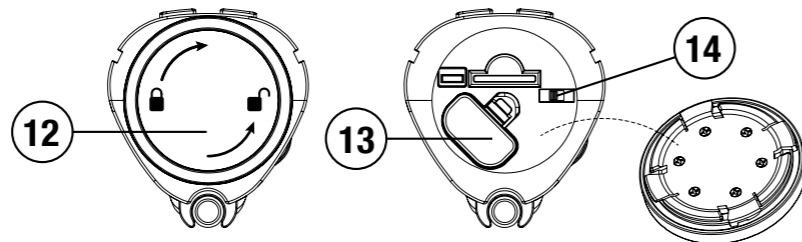
### Voorzijde

3. LCD display
4. Volume omlaag toets
5. Tuning omlaag toets
6. Menu-Preset toets
7. Aan/uit (standby) toets
8. Volume omhoog toets
9. Tuning omhoog toets
10. Toonregeling / Select-Info toets
11. Toetsblokkering / Audio bronkeuze toets (source)



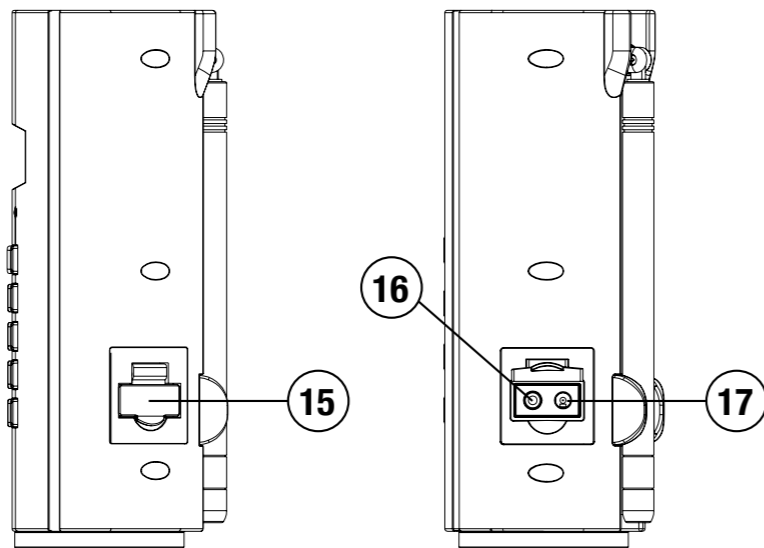
## Onderkant

- 12. Rubberen voet
- 13. Batterijen-compartiment afsluiting
- 14. Batterijen-type schakelaar



## Zijkant

- 15. Rubberen afsluiting
- 16. Aux-in ingang
- 17. Stroomadapter ingang



## STROOMBRONNEN

### Gebruik op netstroom

1. Voordat u de stroomadapter met het stopcontact verbindt, dient u te controleren of de netstroom spanning correct is en dat de Batterijen-type schakelaar in de juiste positie staat: ALKALINE OFF wanneer u geen batterijen of Alkaline batterijen gebruikt / NiMH ON wanneer u NiMH batterijen gebruikt.
2. Wanneer u Alkaline batterijen gebruikt en de Batterijen-type schakelaar staat op ALKALINE OFF dan zullen de batterijen automatisch worden uitgeschakeld wanneer u netstroom gebruikt.
3. Wanneer u NiMH batterijen gebruikt en de Batterijen-type schakelaar staat op NiMH ON dan zullen de batterijen automatisch worden opgeladen wanneer u netstroom gebruikt.
4. Gebruik de stroomadapter nooit in regenachtige of vochtige omstandigheden om kortsluiting en vochtophoping te voorkomen. In die omstandigheden dus alleen batterijvoeding gebruiken en de rubber afsluitingen goed gesloten houden.

### Opmerking:

Opmerking: Om het toestel compleet van de netstroom af te koppelen moet de stroomadapter volledig uit het stopcontact worden getrokken. De stroomadapter en stroomdraad dienen daarvoor altijd bereikbaar te zijn met directe toegang. In geval van storing ten gevolge van electro-statische ontlading, verwijder de stroombron en sluit deze daarna weer aan. In geval van storing ten gevolge van electro-statische ontlading, reset de radio als hierboven beschreven. Als dat niet werkt verwijder de stroomadapter uit het stopcontact evenals de batterijen en sluit deze daarna weer aan.

### Gebruik met batterijen

1. Om het batterijen-compartiment te openen draait u eerst de rubberen voet los (tegen de wijzers van de klok in).
2. Draai het schroefje van het batterijen compartiment los met een schroevendraaier of een munt.
3. Plaats 6 stuks (maat AM3/AA/LR6) NiMH of Alkaline batterijen in het batterijen-compartiment met inachtneming van de juiste polariteit (+ en -).
4. Plaats de batterijen-compartiment afsluiting terug en draai het schroefje terug aan.
5. Zet de batterijen-type schakelaar in de juiste stand, corresponderend met het type batterijen dat u gebruikt. (ALKALINE OFF of NiMH ON).

6. Als u NiMH oplaadbare batterijen gebruikt, zet dan de batterijen-type schakelaar op NiMH ON. De radio zal dan de batterijen laden wanneer deze is aangesloten op netstroom. Als de batterijen geladen worden zal dit zichtbaar zijn aan het “bewegen” van het batterij-icoontje.
7. Als u Alkaline batterijen gebruikt, zet dan de batterijen-type schakelaar op Alkaline OFF. De batterijen zullen niet opgeladen worden.
8. Sluit de rubberen voet goed om zo te voorkomen dat er vocht of stof de radio binnendringt. Dit doet u door de rubberen voet kloksgewijs op de radio te draaien.
9. Wanneer het toestel langere tijd niet gebruikt wordt, is het aangeraden om de batterijen uit de radio te verwijderen.

De capaciteits-status van de batterijen (bij benadering) wordt op de LCD-display van de radio aangegeven middels het batterij-icoontje (4 niveaus).

Wanneer de capaciteit laag is, verschijnt de mededeling “Battery low!” (“Batterij zwak”) en het batterijsymbool laat een lege batterij zien. Dan moeten de batterijen op korte termijn worden vervangen of worden herladen om een normaal gebruik van de radio te kunnen garanderen.

#### **Waarschuwing:**

Er is explosiegevaar als de batterijen verkeerd worden vervangen. Alleen vervangen door hetzelfde of een gelijkwaardig type.

Controleer altijd of de Batterijen-type schakelaar op de juiste positie is ingesteld.

Een Alkaline batterij is niet oplaadbaar. Probeer nooit Alkaline batterijen op te laden.

Nooit verschillende types batterijen mengen.

Nooit geladen en ongeladen batterijen mengen.

Stel de batterijen niet bloot aan overmatige hitte, zoals zonlicht, vuur of dergelijke.

Batterijen dienen niet weggegooid te worden met het huishoudelijk afval of verbrand te worden. Oude, versleten batterijen moeten worden ingeleverd bij een recycleercentrum.

## **BELANGRIJKE INFORMATIE VOOR HET OPLADEN EN GEBRUIKEN VAN OPLAADBARE BATTERIJEN**

1. Laad de batterijen ten minste iedere 2 maanden op.
2. Zorg ervoor dat de Batterijen-type schakelaar zeker in de “NiMH ON” positie staat.
3. Plaats de batterijen in het compartiment volgens de correcte polariteit (+ en -).
4. Eerste gebruik: Laad de nieuwe batterijen in één, niet onderbroken, laadbeurt tot ze vol zijn. Deze eerste laadbeurt zal langer duren dan een normale laadbeurt. Voor een langere levensduur van de batterijen is het daarna het beste om de batterijen altijd in één, niet onderbroken laadbeurt te laden tot ze volledig vol zijn en niet steeds te laden wanneer ze nog voldoende vol zijn.
5. De nieuwe batterijen zullen hun volle capaciteit pas bereiken na een aantal gebruikscycli (ontladen-laden).
6. Laat de hele groep batterijen, bij regelmatig gebruik, in de radio zitten en gebruik deze niet voor andere doeleinden. Ook nooit een paar batterijen eruit halen en voor iets anders gebruiken. Zo ontstaat een mix van (volledig) geladen en (gedeeltelijk) ontladen batterijen.
7. Laad de batterijen bij een omgevingstemperatuur tussen de 5 graden C en 35 graden C. Bij een hogere of lagere temperatuur kunnen de batterijen niet volledig geladen worden.
8. Door de hoge capaciteit van de meegeleverde batterijen kan het laden van “leeg” tot “vol” meerdere uren duren.
9. Laad geen batterijen op als de radio warm is of is blootgesteld aan hitte of warmtebronnen.
10. Geadviseerd wordt de metalen contactpunten van de batterijen en van de lader in de radio van tijd tot tijd te reinigen met een contactspray speciaal voor elektronica.
11. Nooit oude en nieuwe oplaadbare batterijen door elkaar gebruiken.
12. Nooit oplaadbare en niet-oplaadbare batterijen door elkaar gebruiken.
13. Nooit lege en volgeladen oplaadbare batterijen door elkaar gebruiken.
14. Nooit batterijen door elkaar gebruiken met een verschillende capaciteit (mAh).
15. Nooit beschadigde, misvormde of lekkende batterijen gebruiken.
16. De batterij status indicatie (batterij-icoon in display) is een indicatie bij benadering en deze kan verschillen afhankelijk van het gebruikte type batterijen.
17. De batterijen kunnen warm worden tijdens het opladen.
18. In koude omstandigheden zal de capaciteit van batterijen lager zijn dan bij normale kamertemperatuur.
19. Batterijen vallen, als zijnde verbruiksgoederen, niet onder de garantiebepalingen zoals deze gelden voor de radio.
20. Het wordt aangeraden om Perfectpro oplaadbare batterijen te gebruiken, omdat de radio en de interne oplader ontwikkeld zijn voor deze batterijen.

## ALGEMENE FUNCTIES

1. **De radio aan en uit zetten**  
Druk op de **Aan/Uit toets** om de radio in te schakelen of terug op standby te zetten
2. **Kiezen tussen DAB / FM / AUX-IN modus**  
Druk op de Audiobron keuzetoets (Source) om van de ene naar de andere modus te gaan.
3. **De radio afstemmen op de gewenste zender**  
Druk op de **TUNING ◀◀** en **▶▶** knoppen.
4. **Volume aanpassen**  
Druk op de **VOLUME +** en **-** toetsen.
5. **Toon aanpassen**  
Druk op de **TONE toets** en pas de Bass en Treble aan met de **VOLUME +** en **-** toetsen.
6. **De AUX-IN functie gebruiken**  
Verbind uw apparaat via de Ø3.5mm AUX-IN ingang en speel muziek af via uw apparaat naar keuze.

## EERSTE GEBRUIK VAN DE RADIO

1. Plaats de radio op een vlakke ondergrond.
2. Sluit de stroomadapter aan en stop deze in het stopcontact.
3. Zet de antenne, die zich aan de achterkant van de radio bevindt, rechtop.
4. De radio zal enkele seconden de boodschap "WELCOME" tonen. Vervolgens zal de radio automatisch een scan van de Band III DAB kanalen en de FM band uitvoeren. Op de display zal "Scanning" verschijnen bij DAB en "Auto" bij FM.
5. Wanneer de scan voltooid is, zullen de 10 sterkste FM-zenders worden opgeslagen als voorkeurzenders en de beschikbare DAB-zenders worden in de lijst met zenders gezet. De radio schakelt over naar stand-by, de bijgewerkte klok en datum zijn te zien op de display.
6. Als er geen radiosignaal gevonden werd dan wordt de tijd/datum niet geupdate. Het kan dan nodig zijn om de radio te verplaatsen naar een andere positie met een betere radio-ontvangst

## DAB MODUS (DAB – DAB+)

### Bediening van de radio – DAB

1. Zet de antenne rechtop. Druk op de **Aan/Uit toets** om de radio in te schakelen.
2. Kies de **DAB** modus door deze te kiezen met de **Audiobron keuzetoets (source)**.
3. De eerste zender in de zenderlijst zal afspelen. De display toont de naam van de zender. Als de radio eerder is gebruikt zal de laatst geselecteerde zender afspelen.
4. Als geen zendersignaal wordt gevonden wordt "No stations available" ("Geen zenders beschikbaar") weergegeven. Het kan dan nodig zijn om de radio te verplaatsen naar een andere positie met een betere radio-ontvangst. U kunt dan een Auto Scan uitvoeren om zenders te zoeken. Zie verderop "Nieuwe zenders zoeken – DAB".

### Een zender kiezen – DAB

1. Druk op de Aan/Uit toets om de radio in te schakelen.
2. Kies de DAB modus door deze te kiezen met de Audiobron keuzetoets (source).
3. De display geeft aan “Now tuning” gedurende enkele seconden.
4. Op de display wordt de naam van de huidige zender weergegeven.
5. Druk op de **TUNING toetsen** ◀◀ of ▶▶ om door de lijst van beschikbare zenders te lopen.
6. Als de naam van de gewenste zender verschijnt druk dan op de Select/info toets om de zender te selecteren.

Opmerking: Als na het selecteren de display aangeeft “No stations available” dan kan het nodig zijn de radio te verplaatsen naar een andere positie om ontvangst te krijgen.

### Display modus – DAB

In de DAB modus kan de radio diverse informatie aangeven.

Druk op de **Info toets** om de diverse informatie te doorlopen.

- |                         |   |
|-------------------------|---|
| a. Lopende tekst        | Geeft mededelingen van de beluisterde zender als doorlopende tekst aan.   |
| b. Signaal sterkte      | Geeft het ontvangen niveau van de signaalsterke van de zender aan. <b>Het open blokje heeft het minimum signaalniveau aan nodig voor een goede ontvangst.</b> |
| c. Programma type       | Geeft het type programma aan die u hoort, bijv. Pop, klassiek, nieuws, enz.   |
| d. Multiplex naam       | Geeft de naam van de multiplex aan waartoe de zender behoort.   |
| e. Kanaal & frequentie  | Geeft het nummer en de frequentie van de zender aan.  |
| f. Bitrate & audio type | Geeft de “audio bitrate” en de “audio format” van de betreffende uitzending weer.   |
| g. Tijd en datum        | Geeft de actuele tijd en de datum aan.  |

### Nieuwe stations zoeken – DAB

Van tijd tot tijd kunnen er nieuwe zenders beschikbaar zijn. Om deze te vinden:

1. In DAB modus, druk op de Menu toets, de display geeft aan “Full scan”.
2. Druk op de **Select/info toets** , de radio scant de frequenties van de DAB Band III. Als er nieuwe zenders gevonden worden dan worden deze toegevoegd aan de zenderlijst.

### Handmatig zenders zoeken – DAB

Handmatig afstemmen geeft u de mogelijkheid om direct zenders te kiezen in de DAB Band III.

1. In DAB modus, druk op de **Menu toets** en de **TUNING** ◀◀ of ▶▶ toetsen totdat er “Manual Tune” op de display verschijnt, druk vervolgens op de Select/info toets. De display zal dan het DAB kanaal en de bijhorende frequentie tonen.
2. Druk op de **TUNING** ◀◀ of ▶▶ toetsen om de gewenste frequentie te selecteren en dan op de **Select/info toets** om uw keuze te bevestigen.
3. Als een DAB signaal gevonden is toont de display de naam van het station.
4. De signaalsterkte display geeft het ontvangen niveau van de zender aan. Het open blokje geeft het minimum signaalniveau aan nodig voor een goede ontvangst. De signaalsterkte aanduiding verandert mogelijk als u de positie van de antenne en/of de radio verandert.
5. Herhaal stap 1 tot en met 4 voor andere kanalen en de gewenste frequenties.
6. Druk 2 maal op de Menu toets om terug te keren naar het standaard DAB menu.

## Dynamic Range Control (DRC) settings – DAB

DRC kan zachtere geluiden beter hoorbaar maken als de radio in een lawaaierige omgeving gebruikt wordt.

1. In DAB modus, druk op de **Menu toets** en de **TUNING ◀◀ of ▶▶** toetsen totdat er “DRC Value” op de display verschijnt, druk vervolgens op de **Select/info toets**.
2. Druk op de **TUNING ◀◀ of ▶▶** toetsen om de gewenste DRC instelling te selecteren (standaard is OFF).  
DRC off           DRC uitgeschakeld, DRC uitzending zal genegeerd worden.  
DRC high        DRC volledig weergegeven als uitgezonden  
DRC low         DRC niveau op ½ van het uitgezonden niveau.
3. Druk op de **Select/info toets** om deze instelling te bevestigen. De display zal terugkeren naar het standaard DAB menu.

**Opmerking:** Niet alle DAB zender gebruiken de DRC functie. Als de zender geen DRC informatie meezendt hebben de DRC instellingen van de radio geen effect.

## Zenders snoeien “Prune” – DAB

Als u zich verplaatst naar een ander gebied of land kunnen bepaalde zenders niet meer beschikbaar zijn. Ook kunnen bepaalde zenders stoppen met uitzenden of van frequentie veranderen. De “Prune” (“Snoei”) functie verwijdert dan de niet beschikbare zenders uit uw zenderlijst.

1. In DAB modus, druk op de **Menu toets** en de **Tuning ◀◀ of ▶▶** toetsen totdat het display “Prune” toont, druk vervolgens op de **Select/info toets**.
2. Druk op de **Tuning ◀◀ of ▶▶ toetsen** om te kiezen tussen “Yes”(ja) of “No”(nee) (standaard is nee).
3. Druk op de **Select/info toets** om deze instelling te bevestigen. De display zal terugkeren naar het vorige menu. Druk op de **Menu toets** om terug te gaan naar het standaard DAB menu.

Opmerking: Als u zich verplaatst naar een ander gebied of land kunt u best ook nieuwe zenders zoeken. Zie hiervoor “Nieuwe zenders zoeken”.

## FM MODUS

### Bediening van de radio – Automatische zenderzoek functie FM

1. Druk op de **Aan/uit toets** om de radio in te schakelen.
2. Selecteer de **FM RADIO** modus door op de **Audiobron keuzetoets (Source)** te drukken.
3. Als het de eerste keer is dat de radio gebruikt wordt dan zal de radio voorkeuze-zender 1 afspelen. Als de radio eerder is gebruikt dan zal de laatst beluisterde zender afspelen.
4. Om een zender te zoeken, druk op de **Tuning ◀◀ of ▶▶ toetsen**. Het zenderscannen stopt vanzelf als een zender gevonden wordt met voldoende signaalniveau.
5. Na enkele seconden toont het display de zendernaam, indien deze RDS informatie beschikbaar is en ontvangen wordt.
6. Om andere zenders te vinden druk weer op de **Tuning ◀◀ of ▶▶ toetsen**.
7. Om zenders in tegenovergestelde richting te zoeken drukt u op de **TUNING ▶▶toets** (voor het zoeken van lage naar hoge frequentie) of op de **TUNING ◀◀** (voor het zoeken van hoge naar lage frequentie).
8. Wanneer het einde van het frequentiebereik is bereikt, begint de radio opnieuw te zoeken vanaf het tegenovergestelde einde van het frequentiebereik.

### Handmatige afstemming – FM

1. Druk op de **Aan/uit toets** om de radio in te schakelen.
2. Kies de FM modus door het drukken op de Audiobron keuzetoets (**Source**).
3. Druk kort op de **Tuning ◀◀ of ▶▶** toetsen om de gewenste frequentie of zender te bereiken. Dit gaat in stappen van 50 kHz.
4. Pas de positie van de rubberen antenne aan om de beste ontvangst te bereiken. Na enkele seconden toont het display de zendernaam, indien deze RDS informatie beschikbaar is en ontvangen wordt.
5. Wanneer het einde van het frequentiebereik is bereikt, begint de radio opnieuw te zoeken vanaf het tegenovergestelde einde van het frequentiebereik.

## RDS zender-service – FM

RDS (Radio Data System) is een informatiesysteem dat behalve het normale FM-radioprogramma onhoorbare digitale informatie meezendt. Wanneer de radio een RDS-zender ontvangt en de ontvangst voldoende sterk is, verschijnt de naam van de zender in de LCD display. Het kan even duren tot deze RDS informatie beschikbaar is.

### Oproepen van de RDS-informatie

Wanneer u naar een FM-zender met RDS-informatie luistert, drukt u meermaals op de Select/Info toets om door de RDS informatie te lopen. Dit functioneert alleen wanneer het niveau van de ontvangst voldoende sterk en helder is.

- |                                 |   |
|---------------------------------|---|
| a. Programmaservice (PS)        | Geeft de naam van de zender aan die u hoort.                                      |
| b. Radiotekst (RT)              | Geeft mededelingen van de beluisterde zender als doorlopende tekst aan.           |
| c. Programma-type (PTY)         | Geeft het type zender aan die u hoort, bijv. pop, klassiek, nieuwsberichten, enz. |
| d. Frequentie                   | Geeft de beluisterde frequentie aan.  |
| e. Niveau signaalsterkte (SGLV) | Geeft het ontvangen niveau van de signaalsterkte van de zender aan.               |
| f. Tijd & datum                 | Geeft het huidige tijdstip (24 uur klok) en de datum weer.                        |

### Scan gevoeligheid instelling – FM

De radio scant normaal alle FM zenders inclusief diegene met een zwakker signaal. U kunt de scan functie echter ook instellen dat deze alleen de zenders met een sterk signaal voor een goede ontvangst vindt.

1. Druk op de **Aan/uit toets** om de radio in te schakelen.
2. Kies de FM modus door het drukken op de **Audiobron keuzetoets (Source)**.
3. Druk op de **Menu toets**. De display geeft aan "Scan".
4. Druk op de **Select/info toets**.
5. Druk op de **Tuning ◀◀ of ▶▶ toetsen** om te kiezen tussen "All" (alle zenders) of "Strong" (sterke zenders). De standard instelling is "Strong".
6. Druk op de **Select/info toets** om de instelling te bevestigen.

## VOORKEUZE ZENDERS INSTELLEN

### Instellen van zenders in het voorkeuze-geheugen

Deze radio beschikt over 20 voorkeuze-geheugens: 10 voor FM en 10 voor DAB. Het voorkeuze-geheugen wordt opgeslagen in de radio ook als de stroombron onderbroken wordt.

1. Druk op de **Aan/uit toets** to switch on the radio.
2. Kies de FM of DAB modus door het drukken op de **Audiobron keuzetoets (Source)**.
3. Stel de gewenste zender in.
4. Druk (1 sec.) op de **Menu-Preset toets** tot "Preset" wordt getoond in de display.
5. Druk op de **Tuning ◀◀ of ▶▶ toetsen** om de gewenste voorkeuze-geheugenplaats te selecteren (van P1 tot P10).
6. Druk (1 sec.) op de **Select/info toets** om deze voorkeuze-geheugenplaats te selecteren, de display zal "Saved" weergeven als bevestiging.
7. Herhaal deze stappen om andere zenders in het voorkeuze-geheugen vast te leggen.
8. Ingestelde voorkeuze-geheugenplaatsen kunnen indien gewenst met de bovenstaande procedure weer worden overschreven.

### Oproepen van voorkeuze-zenders

1. Druk op de **Aan/uit toets** om de radio in te schakelen.
2. Kies de gewenste modus (FM of DAB) door te drukken op de **Audiobron keuzetoets (Source)**.
3. Druk (1 sec.) op de **Menu-Preset toets** tot "Preset" wordt getoond in de display. De display zal de frequentie en het voorkeuzenummer weergeven.
4. Druk op de **Tuning ◀◀ of ▶▶ toetsen** om de gewenste voorkeuze-zender te selecteren, druk vervolgens op de **Select/info toets** om uw keuze te bevestigen.

## AUX-IN MODUS

Aan de zijkant achter de rubberen afdekking bevindt zich een 3,5 mm stereo **Aux In ingang** voor het aansluiten van een extern audioapparaat zoals bijv. een MP3-speler of een Cd-speler (niet meegeleverd bij de radio).

1. Verbind een externe speler met de **Aux in ingang**.
2. Druk op de **Audiobron keuzetoets (Source)** om AUX IN te kiezen. De display geeft "AUX IN" aan.
3. Speel de externe speler af.
4. Stel het **Volume** van zowel de radio als de speler in op het gewenste luisterniveau.
5. Sluit na gebruik de rubberen afdekking om te voorkomen dat er vocht binnendringt in de radio.

**Opmerking:** Gebruik de AUX-IN ingang nooit in de regen of in een vochtige omgeving om te voorkomen dat er vocht binnendringt in de radio! Hou de rubberen afdekking altijd gesloten in deze omstandigheden.

De Auto-Power managementfunctie wordt geactiveerd in AUX IN modus. Als er gedurende een periode van meer dan 15 minuten, geen signaal \* via de Aux-In-aansluiting binnenkomt, dan zal de Worktube radio automatisch overschakelen naar stand-by modus. Als u op de Aan/Uit toets drukt zal de radio terug aan gaan.

\* Ook wanneer het binnenkomende signaal van het externe apparaat te zwak is en niet kan worden gedetecteerd gedurende een periode van meer dan 15 minuten met de Auto-Power management, zal de Worktube radio overschakelen naar stand-by modus. Om dit te voorkomen verhoogt u het uitgangsvolume van de externe speler iets tot het voldoende te detecteren is.

## HANDMATIG DE KLOK INSTELLEN

De klok kan alleen handmatig worden ingesteld wanneer de radio is uitgeschakeld. Wanneer er 5 seconden lang geen toetsen worden ingedrukt, verlaat de radio de instellingsmodus van de klok en de instelling wordt gewist.

1. Druk ongeveer 3 seconden op de **Menu toets**, "CLOCK SET" wordt getoond in de display.
2. Druk op de **Select/info toets** om te bevestigen en de cijfers van de uren knippen.
3. Druk op de **Tuning ◀◀ of ▶▶ toetsen** om het uur in te stellen.
4. Druk op de **Select/info toets** om te bevestigen en de cijfers van de minute knippen.
5. Druk op de **Tuning ◀◀ of ▶▶ toetsen** om de minute in te stellen.
6. Druk op de **Select/info toets** om te bevestigen en de cijfers van de dag knippen.
7. Druk op de **Tuning ◀◀ of ▶▶ toetsen** om de dag in te stellen.
8. Druk op de **Select/info toets** om te bevestigen en de cijfers van de maand knippen.
9. Druk op de **Tuning ◀◀ of ▶▶ toetsen** om de maand in te stellen.
10. Druk op de **Select/info toets** om te bevestigen en de cijfers van het jaar knippen.
11. Druk op de **Tuning ◀◀ of ▶▶ toetsen** om het jaar in te stellen.
12. Druk op de **Select/info toets** om te bevestigen. "Synclock on" knippert.
13. Druk op de **Tuning ◀◀ of ▶▶ toetsen** om te kiezen tussen "Synclock on" of "Synclock off".
14. Druk op de **Select/info toets** om te bevestigen.

### RDS tijd synchronisatie

Wanneer "SYNLOCK ON" (SYNLOCK AAN) wordt gekozen. Sommige RDS zenders zenden een tijdsignaal uit. Wanneer de ontvangst hiervan goed is en u bij de instelling van de tijd de optie "SYNLOCK ON" (SYNLOCK AAN) hebt gekozen, wordt de tijd automatisch aangepast. De synchronisatie van de tijd kan enkele minuten duren. De automatische instelling van de klok wordt steeds geactiveerd, wanneer de radio aan is en naar FM modus wordt geschakeld en een RDS zender ontvangt.



## WEKKER INSTELLEN

De wekker kan alleen handmatig worden ingesteld wanneer de radio is uitgeschakeld. Wanneer er 5 seconden lang geen toetsen worden ingedrukt, verlaat de radio de instellingsmodus van de wekker en de instelling wordt gewist.

1. Druk ongeveer 3 seconden op de **Menu toets** en daarna, druk op de **Menu toets** tot "ALARM SET" wordt getoond in de display.
2. Druk op de **Select/info toets**. De cijfers van de uren knipperen.
3. Druk op de **Tuning ◀◀ of ▶▶ toetsen** om het uur in te stellen.
4. Druk op de **Select/info toets** om te bevestigen en de cijfers van de minuten knipperen.
5. Druk op de **Tuning ◀◀ of ▶▶ toetsen** om de minuten in te stellen.
6. Druk op de **Select/info toets** om te bevestigen. De display toont dan "ALARM SOURCE".
7. Druk op de **Tuning ◀◀ of ▶▶ toetsen** om te kiezen tussen "FM RADIO", "BUZZER" en "DAB".
8. Wanneer "FM RADIO" is gekozen, dan spelt de laatst geselecteerde zender als wekkergeluid.
9. Het display toont daarna "VOL XX". Druk op de **Tuning ◀◀ of ▶▶ toetsen** om het gewenste geluidsvolume in te stellen.
10. Druk op de **Select/info toets** om te bevestigen.

### Wekker in- / uitschakelen

1. Om de wekkerfunctie in te schakelen, druk op de **Select/info toets** en hou deze gedurende 2 seconden ingedrukt als de radio uit staat en het wekker icoontje zal dan te zien zijn in de linkerbovenhoek van het display.
2. Om de wekkerfunctie uit te schakelen, druk op de **Select/info toets** en hou deze gedurende 2 seconden ingedrukt en het wekker icoontje verdwijnt uit de display.
3. Om de wekker uit te schakelen als deze afgaat, druk eenvoudigweg op de **Aan/uit toets**.

## VOLUME & SOUND

Om het volume aan te passen drukt u simpelweg op de **Volume (- of +) toetsen** wanneer de radio aan het spelen is in DAB / FM radio / AUX IN modus.

Het volumeniveau (van 00 tot 40) wordt dan getoond in het display.

**Opmerking:** Bij het afspelen op batterijen; als het energieniveau van de batterijen te laag is, kan het geluid op hoger volume niveau vervormen.

## 360 GRADEN GELUID

De unieke Neodymium luidspreker (bovenkant van de radio) levert een 360 graden geluidsbeeld.

Suggestie: indien gewenst kunt u de radio in een hoek of dicht bij een muur plaatsen voor extra geluids- en bas reflectie.

## TOONREGELING

Met de **Toonregeling (Tone)** functie kunnen de lage tonen (Bass) en hoge tonen (Treble) aan uw persoonlijke voorkeur aangepast worden.

1. Druk op de **Aan/uit toets** om de radio in te schakelen.
2. Druk gedurende 3 seconde op de **Tone/Select/info toets**, de display toont "BASS 0".
3. Druk op de **Volume - of + toetsen** om het gewenste Bass niveau in te stellen.
4. Druk op de **Tone/Select/info toets** om te bevestigen, dan wordt "TREBLE 0" getoond.
5. Druk op de **Volume - of + toetsen** om het gewenste Treble niveau in te stellen.
6. Druk op de **Tone/Select/info toets** om te bevestigen.

## TAAL INSTELLEN

Het bedieningsmenu kan worden ingesteld op diverse talen.

1. Druk op de **Aan/uit toets** om de radio in te schakelen.
2. Druk op de **Menu toets**, en vervolgens op de **Tuning ◀◀ of ▶▶ toetsen** tot de display "System" toont.
3. Druk op de **Select/info toets**; druk vervolgens op de **Tuning ◀◀ of ▶▶ toetsen** tot de display "Language" toont.
4. Druk op de **Select/info toets**; druk vervolgens op de **Tuning ◀◀ of ▶▶ toetsen** tot de gewenste taal te kiezen in de lijst (standaard is English).
5. Druk op de **Select/info toets** om uw keuze te bevestigen.
6. De taalinstelling wordt nu toegepast.

## SOFTWARE VERSIE

De weergave van de software kan niet worden aangepast en is alleen voor uw informatie. U kunt de software versie zien in het DAB en FM menu.

1. Druk op de **Aan/uit toets** om de radio in te schakelen.
2. Druk op de **Audiobron keuzetoets (Source)** om FM of DAB te selecteren.
3. Druk op de **Menu toets**, en daarna op de **TUNING ◀◀ of ▶▶ toetsen** tot de display "System" toont.
4. Druk op de **Select/info toets**; en daarna op de **TUNING ◀◀ of ▶▶ toetsen** tot de display "SW Version" toont.
5. Druk op de **Select/info toets** om de software versie weer te geven.
6. Druk op de **Menu toets** om terug te keren naar het standaard radio menu.

**Opmerking:** De USB-ingang in het batterijen compartiment is voor het eventuele upgraden van de software indien nodig.

## SYSTEEM RESET

Als de radio niet correct functioneert of b.v. de weergave in de display ontbreekt, geheel of gedeeltelijk, voer dan de volgende procedure uit.

1. Druk op de **Aan/uit toets** om de radio in te schakelen
2. Druk op de **Menu toets**, en daarna op de **Tuning ◀◀ of ▶▶ toetsen** tot de display "System" toont.
3. Druk op de **Select/info toets**; en daarna op de **Tuning ◀◀ of ▶▶ toetsen** tot de display "Reset" toont.
4. Druk op de **Select/info toets**; "Reset? <No> Yes" wordt getoond.
5. Druk op de **TUNING ◀◀ of ▶▶ toetsen** om "Yes" te selecteren indien u de radio wilt resetten, indien dit niet het geval is kies "No" .
6. Druk op de **Select/info toets** om uw keuze te bevestigen.
7. Een volledige reset wordt uitgevoerd. Het voorkeuze-geheugen wordt gewist en alle instellingen teruggezet naar de zogenaamde "Fabrieksinstellingen". De display zal "WELCOME TO DIGITAL RADIO" aangeven en automatisch het DAB- en FM- frequentiebereik opnieuw scannen.

8. Wanneer de scan voltooid is, zullen de 10 sterkste FM-zenders worden opgeslagen als voorkeurzenders en de beschikbare DAB-zenders worden in de lijst met zenders gezet. De radio schakelt over naar stand-by, de bijgewerkte klok en datum zijn te zien op de display.

In geval van storing ten gevolge van electro-statische ontlading, reset de radio als hierboven beschreven. Als dat niet werkt verwijder de stroomadapter uit het stopcontact evenals de batterijen en sluit deze daarna weer aan.

In een omgeving met lijnstoring / radiosensitiviteit kan het monster storingen veroorzaken. Het zal automatisch weer normaliseren wanneer de lijnstoring / radiosensitiviteit is gestopt.

## TOETSBLOKKERING FUNCTIE

De radio ondersteunt Toetsblokkering functie in Standby, DAB, FM en Aux-in modus.

1. Druk op de **Audiobron keuzetoets (Source)** en houdt deze ongeveer 3 seconden ingedrukt. "Locked" wordt getoond in het display. De functie is ingeschakeld.
2. Wanneer de Toetsblokkering functie in gebruik is, wordt de bediening van de radio tijdelijk uitgeschakeld tot de Toetsblokkering functie weer wordt uitgeschakeld. Het indrukken van een toets laat de display tijdelijk oplichten en in het display wordt "Locked" weergegeven.
3. Om uit te schakelen druk op de **Audiobron keuzetoets (Source)** en houdt deze wederom ongeveer 3 seconden ingedrukt, op het display wordt nu "Unlocked" weergegeven, en de Toetsblokkering functie is uitgeschakeld.

**Opmerking:** Wanneer de radio in standby modus is en speelt op batterijen, zullen sommige knoppen niet oplichten om energie te besparen.

## DISPLAY VERLICHTING

### LCD display verlichting instellen

1. Druk op de **Aan/uit toets** om de radio in te schakelen.
2. Druk op de **Menu toets**, end an de **Tuning ◀◀ of ▶▶ toetsen** tot "System" wordt getoond in de display.
3. Druk op de **Select/info toets** end an de **Tuning ◀◀ of ▶▶ toetsen** tot "LCD backlight" wordt getoond in de display.
4. Druk op de **Select/info toets** om toegang te krijgen tot het LCD display verlichting menu.
5. Druk op de **Tuning ◀◀ of ▶▶ toetsen** om "on" te selecteren, deze instelling laat de LCD display verlichting altijd aan wanneer de radio is aangesloten op het stroomnet;
6. Of druk op de **Tuning ◀◀ of ▶▶ toetsen** om "off" (standaard), te selecteren, met deze instelling blijft de LCD display verlichting 10 seconden aan nadat een knop is ingedrukt wanneer deze is aangesloten op het stroomnet.
7. Druk op de **Select/info toets** om uw keuze te bevestigen.

Opmerking: De LCD display verlichting instelling „on" is alleen van toepassing wanneer de radio is aangesloten op het stroomnet. Wanneer de radio speelt op batterijen zal de instelling automatisch naar „off" gaan, waarbij de LCD display verlichting 10 seconden aan gaat nadat een knop is ingedrukt. Wanneer de radio weer wordt aangesloten op het stroomnet zal de laatst ingestelde instelling worden gebruikt.

## GARANTIE

Dit product heeft twee jaar beperkte garantie.

### WAARSCHUWING DE GARANTIE VERVALT INDIEN DE BEHUIZING VAN HET APPARAAT GEOPEND IS OF INDIEN HET APPARAAT DOOR DE EINDGEBRUIKER OP ENIGERLEI WIJZE GEMODIFICEERD OF VERANDERD IS.

De voorwaarden van de garantie van deze radio dekken niet de volgende zaken:

- Schade, beschadigingen en breuk veroorzaakt door verkeerd gebruik, misbruik, verwaarlozing, wijzigingen, ongevallen of ongeautoriseerde reparaties.
- Normale gebruiksslijtage.
- Het breken of buigen van de antenne.
- Batterijen.

## SPECIFICATIES

### Stroombronnen

Netstroom adapter

AC/DC 110-240V 50/60Hz AC~, Output: 12V DC 2A

Batterijen

6 x 1,5V (Type IEC LR6 / AM3 / AA)

Oplaadbare batterijen

6 x 1,2V (Type HR06 / AA / 2500mAh NiMH oplaadbare batterij)

Het wordt sterk aanbevolen om de passende Perfectpro batterijen te gebruiken.

### Frequentiebereik

FM 87.5 – 108 MHz

DAB 174,928 – 239,200 MHz

### Specificaties

Luidspreker

1 x Ø2 1/4 inch

Uitgangsvermogen

1 x 5W

Aux In

Ingang Ø3.5 mm

## INFORMATIE

### Technische data



Dit apparaat is ontstoord volgens de geldende EU-richtlijnen. Dit product voldoet aan de Europese richtlijnen 2006/95/EG, 2005/32/EG en 2004/108/EG. Dit apparaat voldoet aan de regelgeving inzake veiligheid DIN EN 60065 (VDE 0860) en dus de internationale regelgeving inzake veiligheid IEC 60065. Open nooit de behuizing van het apparaat. De fabrikant aanvaardt geen aansprakelijkheid voor schade als gevolg van onjuiste behandeling. Het typeplaatje bevindt zich aan de zijkant van het apparaat.

### Opmerking over milieubescherming



Dit product werd van kwalitatief hoogwaardige onderdelen en materialen vervaardigd die opnieuw gebruikt en gerecycled kunnen worden. Verwijder dit product daarom aan het eind van zijn leven niet met het normale huisvuil. Breng het naar een verzamelplaats voor het recyclen van elektronische en elektrische apparaten. Hierop wordt door dit symbool op het product, in de gebruikershandleiding en op de verpakking gewezen. Informeer u over verzamelplaatsen bij de gemeentelijke instanties. Help door het recyclen van niet meer te gebruiken producten mee aan de bescherming van het milieu.

## INHALTSVERZEICHNIS

INHALTSVERZEICHNIS.....	1
WICHTIGE ALLGEMEINE SICHERHEITSHINWEISE.....	2
GERÄTEÜBERSICHT.....	3
STROMVERSORGUNG.....	5
ALLGEMEINE FUNKTIONEN.....	8
ERSTMALIGER GEBRAUCH DES RADIOS.....	8
DAB-MODUS.....	9
UKW-MODUS.....	12
LIEBLINGSENDER.....	14
AUX-IN-MODUS.....	15
UHRZEIT MANUELL EINSTELLEN.....	16
ALARMEINSTELLUNGEN .....	17
VOLUME & SOUND .....	18
TON.....	18
SPRACHEINSTELLUNGEN.....	19
SOFTWARE-VERSION.....	19
SYSTEMRÜCKSTELLUNG.....	20
TASTENSPERRE .....	21
HINTERGRUNDBELEUCHTUNG.....	21
GARANTIE.....	22
INFORMATIONEN.....	23

**WARNUNG! DIE GARANTIE WIRD NICHTIG, FALLS DAS GEHÄUSE DES GERÄTS GEÖFFNET ODER DAS ORIGINALGERÄT MODIFIZIERT ODER VERÄNDERT WURDE**

## WICHTIGE ALLGEMEINE SICHERHEITSHINWEISE

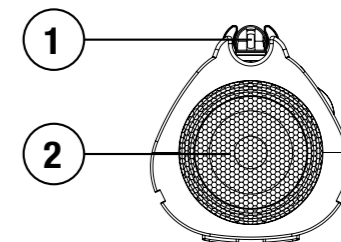
1. Lesen Sie diese Anleitungen.
2. Bewahren Sie diese Anleitungen auf.
3. Beachten Sie alle Warnhinweise.
4. Befolgen Sie alle Anleitungen.
5. Reinigen Sie das Gerät nur mit einem trockenen Tuch.
6. Blockieren Sie keine Lüftungsöffnungen. Installieren Sie das Gerät entsprechend den Anleitungen.
7. Installieren Sie das Gerät nicht in unmittelbarer Nähe von Wärmequellen wie Heizkörpern, Heizungen, Herden oder anderen Geräten (einschließlich Verstärker), die Wärme erzeugen.
8. Benutzen Sie nur vom Hersteller empfohlenes Zubehör.
9. Gerät nur mit einem Wagen, Stand, Stativ, Träger oder Tisch verwenden, der vom Hersteller empfohlen oder mit dem Gerät verkauft worden ist. Eine Kombination aus Gerät und Wagen muss vorsichtig bewegt werden, damit sie nicht umkippt.
10. Ziehen Sie während eines Gewitters und bei längerer Nichtbenutzung den Netzstecker.
11. Wenden Sie sich an einen autorisierten Kundendienst, wenn Netzkabel oder Stecker beschädigt sind, wenn Flüssigkeiten oder Fremdkörper in das Gerät eingedrungen sind, wenn das Gerät Regen oder Wasser ausgesetzt war, wenn das Gerät nicht normal funktioniert oder fallen gelassen wurde.
12. Zur Vermeidung von Feuer und Stromschlag setzen Sie das Gerät nicht Regen oder Feuchtigkeit aus.
13. Nehmen Sie die Verkleidung nicht ab, es befinden sich keine vom Verbraucher wartbaren Teile im Gerät.
14. Stellen Sie keine offenen Flammen auf dem Gerät ab.
15. Bei Benutzung im Freien benutzen Sie zur Vermeidung von Stromschlag an Regentagen oder bei feuchtem Wetter nur Batterien. Zur Vermeidung von Stromschlag müssen, falls das Radio Regen oder Wasser ausgesetzt war, Netzkabel und Stecker vollständig austrocknen, bevor wieder ein Anschluss am Stromnetz vorgenommen wird.
16. Die Steckdose sollte sich in unmittelbarer Nähe des Geräts befinden, um es im Notfall durch Ziehen des Netzsteckers von Stromnetz trennen zu können.
17. Das Typenschild befindet sich auf der Seite des Geräts.
18. Das Gerät ist staub- und spritzwassergeschützt (IP45).
19. Falls das Gerät aufgrund elektrostatischer Entladung oder schneller Stoßspannung nicht mehr ordnungsgemäß funktioniert, trennen Sie das Gerät vom Netz und entnehmen Sie alle Batterien
20. Benutzen Sie nur das vom Hersteller zur Verfügung gestellte Netzteil AC/DC. ATL  
model : DCL25AF-120200  
Input : AC 110-240V 50/60Hz  
Output : 12V DC 2A
21. Um mögliche Hörschäden zu vermeiden, sollten Sie nicht für längere Zeit hohe Lautstärken hören oder Ihre Ohren zu nah an den Lautsprecher halten.
22. Unter der Umgebung mit Leitungsstörung / Strahlungsunempfindlichkeit kann das Muster fehlerhaft sein. Es wird automatisch wieder normal, wenn die Leitungsstörung / Strahlungsunempfindlichkeit stoppt.
23. Verwenden Sie das Gerät nur in moderaten Klimazonen.



## GERÄTEÜBERSICHT

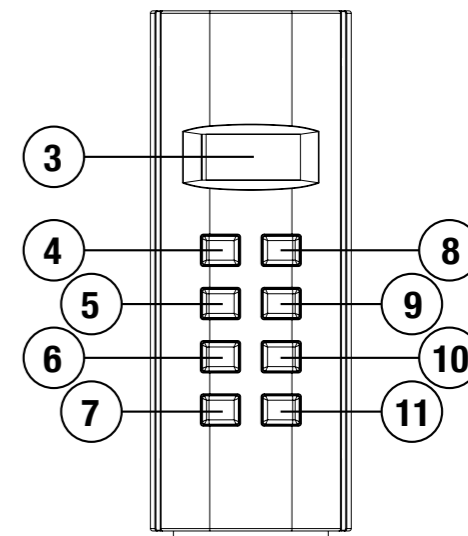
### OBERSEITE

1. Antenne
2. Lautsprecher



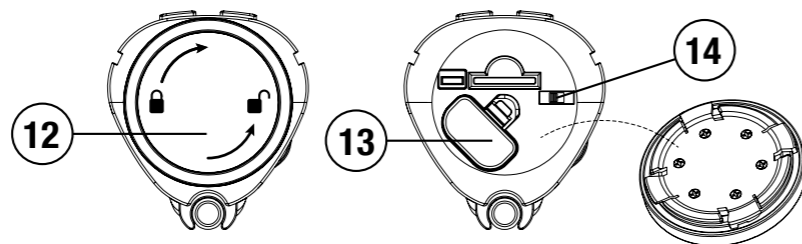
### VORDERSEITE

3. LCD-Display
4. Lautstärke-
5. Tuner -
6. Menü-Preset
7. Ein-/Ausschalttaste
8. Lautstärke +
9. Tuner +
10. Auswahl-Info-Ton
11. Quelle



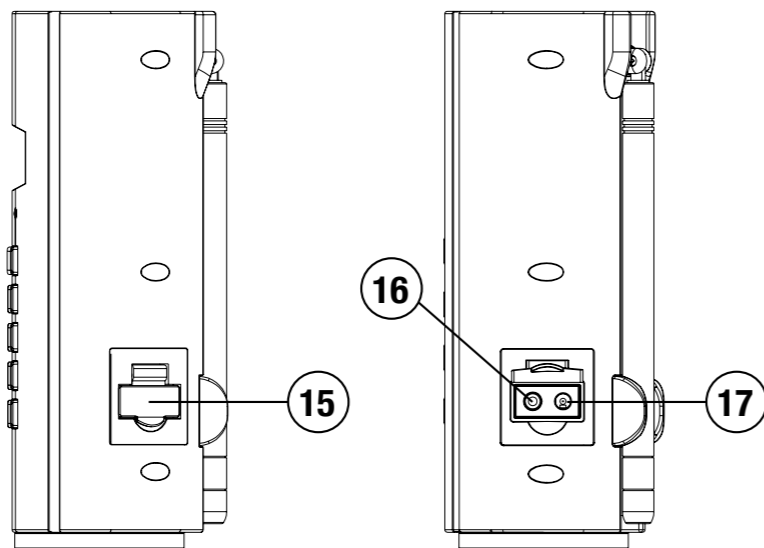
## RÜCKSEITE

- 12. Gummierter Standfuß
- 13. Batteriefach
- 14. Batterieladeschalter



## SEITE

- 15. Gummiabdeckung der Buchse
- 16. Aux-Eingang
- 17. DC-Netzeingang



## STROMVERSORGUNG

### Netzbetrieb (AC)

1. Überprüfen Sie vor dem Anschluss des AC/DC Netzadapters, dass die Spannung geeignet ist und dass der **Batterieladeschalter** auf der richtigen Position steht: **ALKALINE OFF** für den Gebrauch ohne Batterien oder mit Alkalibatterien / **NiMH ON** für den Gebrauch mit wiederaufladbaren NiMH-Batterien.
2. Falls Sie Alkalibatterien verwenden und der **Batterieladeschalter** auf der Position **ALKALINE OFF** steht, wird der Batteriebetrieb automatisch unterbrochen, sobald Sie das Gerät per Netzstrom betreiben.
3. Falls Sie wiederaufladbare NiMH-Batterien verwenden und der **Batterieladeschalter** auf der Position **NiMH ON** steht, wird der Batteriebetrieb automatisch unterbrochen, sobald Sie das Gerät per Netzbetrieb betreiben.
4. Verwenden Sie den AC/DC Netzadapter nicht bei Regen oder in feuchten Umgebungen, um Kurzschlüsse zu vermeiden und damit keine Feuchtigkeit in das Radio eindringen kann. Verwenden Sie das Gerät unter solchen Bedingungen nur mit Batterien und halten Sie die Gummiabdeckung geschlossen.

### Hinweis:

Um das Gerät vollständig von der Netzstromversorgung zu trennen, muss der Netzadapter ganz aus der Steckdose gezogen werden. Der Netzadapter muss immer betriebsbereit sein und darf während des bestimmungsgemäßen Gebrauchs nicht blockiert werden.

Falls das Gerät aufgrund elektrostatischer Entladung oder schneller Stoßspannung nicht mehr ordnungsgemäß funktioniert, trennen Sie das Gerät vom Netz und entnehmen Sie alle Batterien. Legen Sie dann die Batterien erneut ein und schließen Sie das Gerät wieder ans Netz an.

### Batteriebetrieb

1. Öffnen Sie das Batteriefach, indem Sie den gummierten Standfuß an der Unterseite des Geräts links herum abdrehen.
2. Lösen Sie die Schraube in der Abdeckung des Batteriefachs, indem Sie diese links herum herausdrehen.
3. Beachten Sie beim Einlegen der Batterien die Polaritätsmarkierungen (+ und -) im Gerät. Legen Sie Alkalibatterien (6 x 1,5V Typ IEC LR6 / AM3 / Größe AA) oder wiederaufladbare NiMH-Batterien (6 x 1,2V wiederaufladbarer PerfectPro Akku, Größe AA / HR6 / 2500mAh) der Polarität entsprechend in das Batteriefach ein.
4. Schließen Sie die Abdeckung des Batteriefachs und ziehen Sie die Schraube fest.
5. Stellen Sie den **Batterieladeschalter** im Batteriefach gemäß der eingelegten Batterien auf die entsprechende Position (**ALKALINE OFF** oder **NiMH ON**).

6. Falls Sie NiMH-Batterien verwenden, stellen Sie den Batterieladeschalter auf die Position **NiMH ON**. Die Batterien werden aufgeladen, solange das Radio ans Netz angeschlossen ist. Während des Ladevorgangs erscheint im LCD-Display ein animiertes Batteriesymbol. Diese Animation und der Ladevorgang werden beendet, sobald die Batterien vollständig geladen sind.
7. Falls Sie Alkalibatterien verwenden, stellen Sie den Batterieladeschalter auf die Position **ALKALINE OFF**. Alkalibatterien werden nicht aufgeladen.
8. Verschließen Sie den gummierten Standfuß, damit weder Feuchtigkeit noch Staub in das Batteriefach eindringen können. Schrauben Sie den Standfuß rechts herum an das Gerät an.
9. Falls Sie das Gerät über einen längeren Zeitraum nicht verwenden werden, sollten Sie die Batterien aus dem Radio nehmen. Das Batteriesymbol (insgesamt 4 Stufen) im LCD-Display zeigt den ungefähren Batteriestatus an. Falls der Batteriestatus sehr niedrig ist, erscheint im Display die Anzeige „Batt. Low!“. In solch einem Fall laden oder ersetzen Sie die Batterien möglichst bald, um den normalen Betrieb des Radios fortzusetzen.

**Warnung:**

Werden Batterien falsch eingelegt, besteht Explosionsgefahr. Ersetzen Sie Batterien nur durch solche des gleichen Typs. Sorgen Sie dafür, dass der Batterieladeschalter immer auf der richtigen Position steht. Alkalibatterien sind nicht wiederaufladbar. Versuchen Sie niemals, Alkalibatterien aufzuladen. Mischen Sie nicht unterschiedliche Batterietypen. Verwenden Sie volle Batterien nicht zusammen mit leeren Batterien. Schützen Sie Batterien vor übermäßiger Hitze wie Sonneneinstrahlung, Feuer oder ähnlichem. Batterien dürfen nicht verbrannt oder über den normalen Haushaltsmüll entsorgt werden. Entsorgen Sie Batterien, sofern möglich, an entsprechenden Recyclingstellen.

## WICHTIGE INFORMATIONEN ZUM AUFLADEN UND GEBRAUCH VON WIEDERAUFLADBAREN BATTERIEN

1. **Laden Sie Batterien mindestens alle 2 Monate auf.**
2. Der Batterieladeschalter neben dem Batteriefach muss auf der Position „CHARGE / NiMH ON“ stehen.
3. **Legen Sie die Batterien unter Berücksichtigung der richtigen Polarität ein (+ und -).**
4. **Erstmaliger Gebrauch: Laden Sie die Batterien mit einem kontinuierlichen, ununterbrochenen Ladevorgang, bis sie voll sind.** Das erstmalige Aufladen kann länger als normale Ladezyklen dauern. Im Hinblick auf eine lange Lebensdauer der Batterien sollten Sie Batterien immer mit einem kontinuierlichen und ununterbrochenen Ladevorgang aufladen, bis sie voll sind und nicht erneut aufladen, solange die Batterien noch voll sind.
5. Neue Batterien erreichen ihre vollständige Kapazität erst nach einiger Zeit (mehrere Lade- und Entladezyklen).
6. Belassen Sie alle Batterien im Radio und entnehmen Sie diese oder einige davon nicht für andere Zwecke. Anderenfalls werden volle und (halb) leere Batterien miteinander vermischt, wodurch die Batterien oder das Radio ernsthaft beschädigt werden könnten.
7. Sie sollten Batterien nur bei Raumtemperatur zwischen 5 Grad und 35 Grad Celsius aufladen. Bei niedrigeren oder höheren Temperaturen kann keine vollständige Ladung erreicht werden.
8. Je nach Kapazität der Batterien kann ein vollständiger Ladevorgang (von „leer“ bis „voll“) einige Stunden dauern.
9. Laden Sie Batterien nicht auf, wenn das Radio heiß ist oder Wärme bzw. Wärmequellen ausgesetzt ist.
10. Reinigen Sie die Metallkontakte der Batterien und des Ladegeräts im Inneren des Radios von Zeit zu Zeit, z.B. mit einem Kontaktspray.
11. Mischen Sie nicht alte und neue Batterien.
12. Verwenden Sie normale und wiederaufladbare Batterien nicht gemeinsam.
13. Verwenden Sie volle wiederaufladbare Batterien nicht zusammen mit leeren.
14. Verwenden Sie nicht Batterien unterschiedlicher mAh-Kapazität.
15. Verwenden Sie keine beschädigten, verformten oder auslaufenden Batterien.
16. Die Batteriestatusanzeige entspricht einer Schätzung und kann je nach Batterietyp variieren.
17. Batterien können während des Ladevorgangs heiß werden.
18. Unter kalten Bedingungen ist die Kapazität von Batterien viel niedriger als bei normaler Raumtemperatur.
19. Batterien (auch falls im Lieferumfang enthalten) sind Verbrauchsgüter und fallen nicht unter die Garantieb Bestimmungen für das Radio.
20. Wir empfehlen den Gebrauch von wiederaufladbaren PerfectPro Batterien, da das Radio und das Ladegerät für diese Art von Batterien entwickelt wurden.



## ALLGEMEINE FUNKTIONEN

- 1. Ein- und ausschalten**  
Drücken Sie die **Ein-/Ausschalttaste**, um das Gerät ein- oder in Standby umzuschalten.
- 2. Umschalten zwischen den Modi DAB / UKW / AUX-IN**  
Mit der Taste **SOURCE** schalten Sie zwischen den einzelnen Modi um.
- 3. Radiosender einstellen**  
Mit den Tasten **TUNING** ◀◀ und ▶▶ und stellen Sie Radiosender ein.
- 4. Lautstärke einstellen**  
Stellen Sie die Lautstärke mit den Tasten **VOLUME** + und - ein.
- 5. Ton einstellen**  
Drücken Sie **TONE** und stellen Sie die Hoch- und Tieftöne mit den Tasten **VOLUME** + und - ein.
- 6. Funktion des AUX-EINGANGS**  
Schließen Sie den Audioausgang eines externen Audiogeräts an den Ø3,5mm AUX-EINGANG des Radios an, um Musik des externen Geräts abzuspielen.

## ERSTMALIGER GEBRAUCH DES RADIOS

- Legen Sie die Batterien ein und stellen Sie das Radio auf einen flachen Untergrund.
- Schließen Sie das Netzteil gegebenenfalls an eine Steckdose an.
- Ziehen Sie die Antenne hinten am Gerät vorsichtig aus. Richten Sie die Antenne vertikal über dem Radio aus.
- Das Radio wird eingeschaltet und im Display erscheint einige Sekunden lang die Anzeige „WELCOME“. Das Radio sucht dann automatisch nach Sendern der Band III DAB und UKW Frequenzbänder. Die Anzeige „Scanning“ erscheint im DAB-Modus und „Auto“ im UKW-Modus.

- Nach dem Scan werden die 10 stärksten UKW-Sender als Favorit gespeichert und die verfügbaren DAB-Sender erscheinen in der Senderliste. Das Radio geht nun in den Standby-Modus über und im Display werden die aktualisierte Uhrzeit und das Datum angezeigt.
- Werden keine Signale gefunden, wird die Uhrzeit nicht aktualisiert. Stellen Sie das Radio gegebenenfalls an einen anderen Ort mit besserem Empfang.

## DAB-MODUS (DAB – DAB+)

### Radiobetrieb – DAB

- Ziehen Sie die Antenne vorsichtig aus. Drücken Sie die **Ein-/Ausschalttaste**, um das Radio einzuschalten.
- Stellen Sie mit der Taste **SOURCE** das Frequenzband DAB ein.
- Der erste gefundene Sender der Senderliste wird wiedergegeben. Im Display erscheint der Sendername. Falls Sie das Radio bereits früher verwendet haben, schaltet das Gerät den zuletzt angehörten Sender ein.
- Werden keine DAB-Signale empfangen, erscheint im Display die Anzeige „No stations“. Stellen Sie das Gerät gegebenenfalls an einen anderen Ort mit besserem Empfang. Führen Sie dann eine automatische Sendersuche durch, siehe Abschnitt „**Neue Sender auffinden - DAB**“.

### Sender einstellen – DAB

- Schalten Sie das Radio mit der **Ein-/Ausschalttaste** ein. Im Display erscheinen einige Sekunden lang die Anzeigen „Connecting“ und „Playing“.
- Stellen Sie mit der Taste **SOURCE** das Frequenzband DAB ein.
- Im Display erscheint dann einige Sekunden lang die Anzeige „Now tuning“.
- Im Display erscheint der Name des aktuellen Radiosenders.
- Scrollen Sie mit den Tasten **TUNING** ◀◀ oder ▶▶ durch die Liste der verfügbaren Sender.
- Wenn der von Ihnen gewünschte Name im Display erscheint, drücken Sie **SELECT**, um den Sender wiederzugeben.

Hinweis: Falls nach der Auswahl eines Senders im Display die Anzeige „No stations“ erscheint, ist es eventuell erforderlich, das Radio an einen anderen Ort mit besserem Empfang zu stellen.



## Anzeigeoptionen – DAB

Im DAB-Modus kann das Radio eine Vielzahl von Informationen anzeigen.

Drücken Sie die Taste **INFO**, um durch die unterschiedlichen Anzeigeoptionen zu scrollen.

- |                          |   |
|--------------------------|---|
| a. Lauftext              | Anzeige von Lauftexten, z.B. Senderinfos, Interpret/Titelname, Hotline, usw.  |
| b. Signalstärke          | Anzeige der aktuellen Signalstärke. Das leere Rechteck weist auf die Mindestsignalstärke hin, die für einen zufriedenstellenden Empfang erforderlich ist. |
| c. Programmtyp           | Anzeige des aktuellen Sendertyps, z.B. Pop, Klassik, Nachrichten, usw.  |
| d. Multiplex-Name        | Anzeige des Multiplex-Namens, zu dem der aktuelle Sender gehört.  |
| e. Sender & Frequenz     | Anzeige der Sendernummer und Frequenz des aktuell eingestellten DAB-Senders.  |
| f. Bitrate & Audioformat | Anzeige von digitaler Audio-Bitrate und Audioformat.  |
| g. Uhrzeit & Datum       | Anzeige von aktueller Uhrzeit und Datum.  |

## Neue Sender auffinden – DAB

Von Zeit zu Zeit wird es neue Sender geben. Suchen Sie Sender wie folgt:

1. Drücken Sie im DAB-Modus die Taste **MENU**. Im Display erscheint die Anzeige „Full scan“.
2. Drücken Sie **SELECT**. Das Radio führt einen Scan aller Band III DAB-Kanäle durch. Wenn neue Sender gefunden werden, erhöht sich die Zähleranzeige rechts im Display und die neuen gefunden Sender werden der Senderliste des Radios hinzugefügt.

## Manuelle Sendersuche – DAB

Alternativ haben Sie die Möglichkeit, manuell nach Sendern zu suchen. Anstatt das gesamte Band III automatisch zu scannen, können Sie einen Ihnen bekannten DAB-Sender direkt einstellen und alle mit diesem Sender verfügbaren Multiplex-Namen in der Senderliste speichern.

1. Drücken Sie im DAB-Modus die Tasten **MENÜ** und **TUNING◀◀ oder ▶▶**, bis im Display die Anzeige „Manual Tune“ erscheint.  
Drücken Sie dann **SELECT**. Im Display werden der DAB-Sender und die Frequenz angezeigt.
2. Wählen Sie mit **TUNING◀◀ oder ▶▶** den gewünschten Kanal oder die Frequenz aus. Drücken Sie **SELECT**, um den ausgewählten Kanal einzuschalten.
3. Wenn auf dem eingestellten Kanal ein DAB-Sender verfügbar ist, wird dessen Name im Display angezeigt. Alle neu gefundenen Sender werden der Senderliste des Radios hinzugefügt.
4. Die im Display angezeigte Signalstärke spiegelt die Empfangsqualität des Senders wider. Das leere Rechteck weist auf die Mindestsignalstärke hin, die für einen zufriedenstellenden Empfang erforderlich ist. Wenn Sie die Antenne ausrichten oder das Radio umstellen, verändert sich die Signalanzeige mit der Signalstärke.
5. Wiederholen Sie die Schritte 1 bis 4, um weitere Kanäle zu suchen.
6. Drücken Sie die Taste **MENU** zweimal, um die manuelle Sendersuche zu beenden und zum normalen DAB-Betrieb zurückzukehren.

## Dynamikbereich-Einstellungen (DRC) – DAB

Die Einstellung des Dynamikbereichs kann leise Töne besser hörbar machen, wenn Sie das Radio in einer lauten Umgebung benutzen.

1. Drücken Sie im DAB-Modus die Tasten **MENU** und **TUNING◀◀ oder ▶▶**, bis im Display die Anzeige „DRC value“ erscheint.  
Drücken Sie dann **SELECT**.
2. Drücken Sie **TUNING◀◀ oder ▶▶**, um die gewünschte DRC-Einstellung auszuwählen (AUS ist die Standardeinstellung).  
DRC off           DRC ist deaktiviert, übertragene DRC-Einstellung wird ignoriert.  
DRC high         DRC ist aktiviert und entspricht der Einstellung der Sendung.  
DRC low          DRC beträgt 1/2 der Einstellung der Sendung.
3. Bestätigen Sie Ihre Einstellungen mit der Taste **SELECT**. Das Display kehrt zur normalen Anzeige zurück.

**Hinweis:** Nicht alle DAB-Sendungen unterstützen die DRC-Funktion. Bei Sendungen, die DRC nicht unterstützen, sind die DRC-Einstellungen des Radios ohne Effekt.

## Sender löschen – DAB

Falls Sie umziehen, werden einige der Sender in der Liste möglicherweise nicht mehr empfangen. Einige DAB-Dienste werden im Laufe der Zeit auch aufgegeben oder ändern ihren Standort oder ihre Frequenz. Zum Entfernen solcher DAB-Sender von der Senderliste können Sie diese DAB-Sender löschen.

1. Drücken Sie im DAB-Modus die Tasten **MENU** und **TUNING ◀◀ oder ▶▶**, bis im Display die Anzeige „Prune“ erscheint. Drücken Sie dann **SELECT**.
2. Wählen Sie mit den Tasten **TUNING ◀◀ oder ▶▶** die Option „Yes“ oder „No“ (No ist Standardeinstellung). Wählen Sie „Yes“, um diese Funktion zu aktivieren, oder wählen Sie anderenfalls „No“.
3. Drücken Sie **SELECT** zum Bestätigen Ihrer Einstellung. Das Display kehrt zum letzten Menü zurück. Drücken Sie **MENU**, um zur normalen Radioanzeige zurückzukehren.

Hinweis: Wenn Sie Ihr Radio an einem anderen Standort verwenden, sollten Sie eine neue Suche nach Radiosendern durchführen (siehe Abschnitt „Neue Sender auffinden – DAB“).

## UKW-MODUS

### Radiobetrieb – Sendersuche UKW

1. Schalten Sie das Radio mit der **Ein-/Ausschalttaste** ein.
2. Stellen Sie mit der Taste **SOURCE** den Modus **FM RADIO** ein.
3. Schalten Sie den UKW-Modus zum ersten Mal ein, wird der voreingestellte Sender auf Speicherplatz 1 abgespielt. Wurde das Radio bereits früher benutzt, wird der zuletzt angehörte Sender eingeschaltet.
4. Drücken Sie **TUNING ◀◀ oder ▶▶**, um die Sendersuche zu starten. Die Suche wird automatisch unterbrochen, sobald das Radio einen Sender mit ausreichender Signalstärke gefunden hat.
5. Nach einigen Sekunden wird das Display aktualisiert. Liegen RDS-Daten vor, wird der Sendername angezeigt.
6. Drücken Sie **TUNING ◀◀ oder ▶▶** erneut, um weitere Sender zu suchen.
7. Wenn Sie Sender in entgegengesetzter Richtung suchen möchten, drücken Sie **TUNING ▶▶**, um von den niedrigen zu den hohen Frequenzen zu suchen, oder drücken Sie **TUNING ◀◀**, um von den hohen zu den niedrigen Frequenzen zu suchen.
8. Am Ende des Wellenbands setzt das Radio die Suche am anderen Ende des Wellenbands fort.

## Manuelle Sendersuche – UKW

1. Schalten Sie das Radio mit der **Ein-/Ausschalttaste** ein.
2. Stellen Sie mit der Taste **SOURCE** den UKW-Modus ein.
3. Drücken Sie **TUNING ◀◀ oder ▶▶**, um einen UKW-Sender einzustellen. Die Frequenz ändert sich in Schritten von 50 kHz.
4. Richten Sie die Gummianteenne für einen optimalen Empfang aus. Falls das Radio einen Sender mit ausreichender Signalstärke und mit verfügbaren RDS-Daten empfängt, dann erscheint im Display der Sendername.
5. Am Ende des Wellenbands setzt das Radio die Suche am anderen Ende des Wellenbands fort.

## RDS-Optionen – UKW

RDS (Radio Data System) ist ein System, bei dem nicht hörbare digitale Informationen zusätzlich zum normalen UKW-Radioprogramm übertragen werden. Falls das Radio einen RDS-Sender mit ausreichender Signalstärke empfängt, erscheint der Sendername im Display. Es kann einige Zeit dauern, bis die RDS-Daten übertragen werden.

### RDS-Optionen aufrufen

Drücken Sie, wenn Sie einen UKW-Sender mit RDS-Daten anhören, wiederholt die Taste **SELECT-NFO**, um durch die Daten zu scrollen. Dies funktioniert nur, wenn das Signal stark genug und klar ist.

a. Sendername (PS)	Anzeige des aktuellen Sendernamens
b. Radiotext (RT)	Anzeige der Nachricht über den aktuell eingestellten Sender als Lauftext.
c. Programmtyp (PTY)	Anzeige des jeweiligen Sendertyps, z.B. Pop, Klassik, Nachrichten, usw.
d. Frequenz	Anzeige der Frequenz des aktuell eingestellten Senders.
e. Signalstärke	Anzeige der Signalstärke.
f. Uhrzeit & Datum	Anzeige von Uhrzeit (24-Stundenformat) und Datum.

### Empfindlichkeit der Sendersuche – UKW

Das Radio sucht normalerweise alle UKW-Sender einschließlich solcher mit schwächerem Signal. Sie können die automatische Sendersuche jedoch auch benutzen, um nur Sender zu finden, deren Signal stark genug für einen guten Empfang ist.

1. Schalten Sie das Radio mit der **Ein-/Ausschalttaste** ein.
2. Stellen Sie mit der Taste **SOURCE** den UKW-Modus ein.
3. Drücken Sie **MENU**. Im Display erscheint „Scan“.
4. Drücken Sie **SELECT**.
5. Drücken Sie **TUNING** ◀◀ **oder** ▶▶ zur Auswahl von „All“ oder „Strong“ („Strong“ ist die Standardeinstellung). Mit der Option „Strong“ sucht das Radio nur nach Sendern mit starkem Signal.
6. Drücken Sie **SELECT** zur Bestätigung Ihrer Einstellungen. Das Display kehrt zur normalen Radioanzeige zurück.

## LIEBLINGSENDER

### Sender als Favorit speichern

Sie können bis zu 20 Radiosender speichern – 10 DAB-Sender und 10 UKW-Sender. Die Speichereinstellungen werden auch bei einem Stromausfall beibehalten.

1. Schalten Sie das Radio mit der **Ein-/Ausschalttaste** ein.
2. Stellen Sie mit **SOURCE** das gewünschte Wellenband ein.
3. Stellen Sie den gewünschten Radiosender ein.
4. Drücken Sie (1 sec.) **MENU-PRESET**, bis im Display „Preset“ erscheint.
5. Wählen Sie mit **TUNING** ◀◀ **oder** ▶▶ den gewünschten Speicherplatz (P1 bis P10).
6. Drücken Sie (1 sec.) **SELECT-INFO**; im Display erscheint als Bestätigung „Saved“.
7. Wiederholen Sie die Schritte 3 bis 6, um weitere Sender zu speichern.
8. Bereits gespeicherte Sender können durch Befolgen obiger Vorgehensweise überschrieben werden.

### Gespeicherte Radiosender einschalten

1. Schalten Sie das Radio mit der **Ein-/Ausschalttaste** ein.
2. Stellen Sie mit **SOURCE** das gewünschte Wellenband ein.
3. Drücken Sie (1 sec.) **MENU-PRESET**, bis im Display die Anzeige „Preset“ erscheint. Das Display zeigt die Senderfrequenz und die Nummer des Speicherplatzes an.
4. Wählen Sie mit **TUNING** ◀◀ **oder** ▶▶ den bevorzugten Sender aus und bestätigen Sie mit **SELECT-INFO**.

## AUX-IN-MODUS

Unter der Gummiabdeckung an der Seite des Geräts befindet sich ein 3,5 mm Aux-In Stereoeingang, an den externe Audiogeräte wie z.B. MP3-Spieler oder CD-Spieler angeschlossen werden können (Aux-Kabel nicht im Lieferumfang enthalten).

1. Schließen Sie ein Audiogerät an den Aux-Eingang an.
2. Schalten Sie mit **SOURCE** den AUX-In-Modus ein. Im Display erscheint „AUX IN“.
3. Starten Sie die Wiedergabe am externen Gerät.
4. Stellen Sie sowohl am Radio als auch am externen Gerät die Lautstärke entsprechend ein.
5. Schließen Sie nach dem Gebrauch die Gummiabdeckung, damit weder Feuchtigkeit noch Staub in die Anschlüsse oder das Radio eindringen können.

Hinweise: Verwenden Sie den Aux-Eingang nicht bei Regen oder unter feuchten Bedingungen, damit keine Feuchtigkeit in das Radio eindringen kann. Halten Sie die Gummiabdeckung unter solchen Bedingungen gut verschlossen.

Im AUX-Modus wird der automatische Stromsparmmodus aktiviert. Erfolgt am Aux-Eingang innerhalb von 15 Minuten keine Signaleingabe\*, schaltet das Worktube Radio automatisch den Standby-Modus ein. Die Betriebsanzeige und das LCD erlöschen ebenfalls. Drücken Sie die **Ein-/Ausschalttaste**, um das Gerät wieder einzuschalten.

\* Der Standby-Modus wird auch dann aktiviert, wenn das eingehende Signal vom externen Gerät zu schwach ist und vom Stromsparmmodus über einen Zeitraum von 15 Minuten nicht erkannt wird. Um dies zu verhindern, erhöhen Sie den Ausgangspegel des externen Geräts entsprechend, um erkannt zu werden.

## UHRZEIT MANUELL EINSTELLEN

Die Uhrzeit lässt sich nur manuell einstellen, wenn sich das Radio im Standby-Modus befindet. Wenn Sie innerhalb von 5 Sekunden keine Taste drücken, verlässt das Radio die Uhrzeiteinstellung und Ihre Einstellungen werden gelöscht.

1. Drücken Sie ca. 3 Sekunden **MENU** bis im Display die Anzeige "CLOCK SET" erscheint.
2. Drücken Sie **SELECT-INFO**. Die Stundenanzeige beginnt zu blinken.
3. Stellen Sie mit **TUNING◀◀ oder ▶▶** die Stunden ein.
4. Drücken Sie **SELECT-INFO** zum Bestätigen. Die Minutenanzeige beginnt zu blinken.
5. Stellen Sie mit **TUNING◀◀ oder ▶▶** die Minuten ein.
6. Drücken Sie **SELECT-INFO** zum Bestätigen. Die Tagesanzeige beginnt zu blinken.
7. Stellen Sie mit **TUNING◀◀ oder ▶▶** das Datum ein.
8. Drücken Sie **SELECT-INFO** zum Bestätigen. Die Monatsanzeige beginnt zu blinken.
9. Stellen Sie mit **TUNING◀◀ oder ▶▶** den Monat ein.
10. Drücken Sie **SELECT-INFO** zum Bestätigen. Die Jahresanzeige beginnt zu blinken.
11. Stellen Sie mit **TUNING◀◀ oder ▶▶** das Jahr ein.
12. Drücken Sie **SELECT-INFO** zum Bestätigen. „Synclock on“ beginnt zu blinken.
13. Drücken Sie **TUNING◀◀ oder ▶▶** zur Auswahl von „Synclock on“ oder „Synclock off“.
14. Drücken Sie **SELECT-INFO** zum Bestätigen. Die Einstellung ist nun abgeschlossen.

### Synchronisation der RDS-Zeit

Wenn Sie während der Einstellung der Uhrzeit die Option „Synclock on“ auswählen, wird die Uhrzeit automatisch aktualisiert. Die Synchronisation der Zeit kann einige Minuten dauern. Die automatische Uhrzeiteinstellung ist immer aktiviert, wenn Sie vom Standby-Modus aus UKW-Sender mit RDS-Übertragung einschalten. Bestätigen Sie Ihre Einstellungen mit **SELECT-INFO**.

## ALARMEINSTELLUNGEN

Die Uhrzeit lässt sich nur manuell einstellen, wenn sich das Radio im Standby-Modus befindet. Wenn Sie innerhalb von 5 Sekunden keine Taste drücken, verlässt das Radio die Alarmeinstellung und Ihre Einstellungen werden gelöscht.

1. Drücken Sie ca. 3 Sekunden **MENU** und anschließend **MENU** bis im Display die Anzeige "ALARM SET" erscheint.
2. Drücken Sie **SELECT-INFO**. Die Stundenanzeige beginnt zu blinken.
3. Stellen Sie mit **TUNING◀◀ oder ▶▶** die Stunden ein.
4. Drücken Sie **SELECT-INFO** zum Bestätigen. Die Minutenanzeige beginnt zu blinken.
5. Stellen Sie mit **TUNING◀◀ oder ▶▶** die Minuten ein.
6. Drücken Sie **SELECT-INFO** zum Bestätigen. „ALARM SOURCE“ erscheint im Display.
7. Drücken Sie **TUNING◀◀ oder ▶▶** zur Auswahl von „FM RADIO“, „BUZZER“ oder „DAB“.
8. Falls Sie „FM RADIO“ auswählen, wird zur programmierten Alarmzeit der zuletzt angehörte Sender eingeschaltet.
9. „VOL XX“ wird angezeigt. Stellen Sie mit **TUNING◀◀ oder ▶▶** die Lautstärke des Alarms ein.
10. Drücken Sie **SELECT-INFO** zum Bestätigen. Die Einstellungen sind abgeschlossen.

### Alarm ein-/ausschalten

1. Halten Sie **SELECT-INFO** 2 Sekunden lang gedrückt, um den Alarm zu aktivieren. Oben links im Display erscheint das Alarmsymbol.
2. Halten Sie **SELECT-INFO** erneut 2 Sekunden lang gedrückt, um den Alarm zu deaktivieren. Das Alarmsymbol verschwindet.
3. Wenn der Alarm ertönt, drücken Sie die Ein-/Ausschalttaste, um den Alarm auszuschalten.

## VOLUME & SOUND

Stellen Sie die Lautstärke in den Modi DAB / UKW / Bluetooth oder AUX-IN mit den Tasten **Volume** – oder + ein. Im Display wird die eingestellte Lautstärkestufe angezeigt (von der niedrigsten Einstellung 00 bis zur höchsten Einstellung 40).

**Hinweis:** Falls beim Betrieb mit Batterien der Batteriestatus zu niedrig ist, wird der Ton bei der Einstellung höherer Lautstärken verzerrt.

### 360 GRAD SURROUND SOUND

Der einzigartige Neodym-Lautsprecher an der Oberseite des Radios bietet ein 360 Grad Klangerlebnis. Empfehlung: Stellen Sie das Radio in eine Ecke oder nahe an eine Wand, um den Sound zusätzlich zu reflektieren.

## TON

Mit der **TON**-Funktion können Sie niedrige und höhere Tonfrequenzen konfigurieren.

1. Schalten Sie das Radio mit der **Ein-/Ausschalttaste** ein.
2. Drücken Sie **TONE**. Im Display erscheint die Anzeige „BASS 0“.
3. Stellen Sie den Bass mit den Tasten **Volume** – oder + entsprechend ein.
4. Drücken Sie **SELECT-INFO** zum Bestätigen. Im Display erscheint die Anzeige „TREBLE 0“.
5. Stellen Sie den Hochtton mit den Tasten **Volume** – oder + entsprechend ein.
6. Drücken Sie **SELECT-INFO**, um Ihre Einstellung zu bestätigen und zur normalen Anzeige zurückzukehren.

## SPRACHEINSTELLUNGEN

Sie haben die Möglichkeit, unterschiedliche Menüsprachen für das Radio einzustellen.

1. Schalten Sie das Radio mit der **Ein-/Ausschalttaste** ein.
2. Drücken Sie **MENU** und anschließend **TUNING ◀◀ oder ▶▶**, bis im Display die Anzeige „System“ erscheint.
3. Drücken Sie **SELECT-INFO** und anschließend **TUNING ◀◀ oder ▶▶**, bis im Display die Anzeige „Language“ erscheint.
4. Drücken Sie **SELECT-INFO** und anschließend **TUNING ◀◀ oder ▶▶**, bis im Display die gewünschte Sprache angezeigt wird (Englisch ist die Standardeinstellung).
5. Drücken Sie **SELECT-INFO** zur Bestätigung Ihrer Einstellung.
6. Das Menü wird nun in der ausgewählten Sprache angezeigt.

## SOFTWARE-VERSION

Die Anzeige der Software-Version kann nicht geändert werden und dient nur Ihrer Information. Die Software-Version lässt sich nur in den Modi DAB und UKW anzeigen.

1. Schalten Sie das Radio mit der **Ein-/Ausschalttaste** ein.
2. Schalten Sie mit **SOURCE** den UKW- oder DAB-Modus ein.
3. Drücken Sie **MENU** und anschließend **TUNING ◀◀ oder ▶▶**, bis im Display die Anzeige „System“ erscheint.
4. Drücken Sie **SELECT-INFO** und anschließend **TUNING ◀◀ oder ▶▶**, bis im Display die Anzeige „SW VERSION“ erscheint.
5. Drücken Sie **SELECT-INFO**, um die Software-Version anzuzeigen.
6. Drücken Sie **MENU**, um zur normalen Radioanzeige zu gelangen.

**Hinweis:** Der USB-Port neben dem Batteriefach kann für die Aktualisierung der Software des Geräts verwendet werden.

## SYSTEMRÜCKSTELLUNG

Falls Ihr Radio nicht ordnungsgemäß funktioniert oder Anzeigen im Display fehlen bzw. unvollständig sind, führen Sie bitte wie folgt eine Rückstellung durch.

1. Schalten Sie das Radio mit der **Ein-/Ausschalttaste** ein.
2. Drücken Sie **MENU** und anschließend **TUNING ◀◀ oder ▶▶**, bis im Display die Anzeige „System“ erscheint.
3. Drücken Sie **SELECT-INFO** und anschließend **TUNING ◀◀ oder ▶▶**, bis im Display die Anzeige „Reset“ erscheint.
4. Drücken Sie **SELECT-INFO**; „Reset? <No> Yes“ wird angezeigt.
5. Drücken Sie **TUNING ◀◀ oder ▶▶** zur Auswahl von „Yes“ oder „No“. Wählen Sie „Yes“ für die Rückstellung oder „No“, falls Sie das System nicht zurückstellen möchten.
6. Drücken Sie **SELECT-INFO** zum Bestätigen.
7. Das System führt eine vollständige Rückstellung durch. Alle Favoriteneinstellungen und die Senderliste werden gelöscht. Alle Einstellungen werden auf die Werkseinstellungen zurückgesetzt. Im Display erscheint einige Sekunden lang die Anzeige „WELCOME“ und dann führt das Radio einen Scan nach Band III DAB-Kanälen und UKW-Sendern durch. Im Display erscheint die Anzeige „Scanning“ für DAB-Kanäle und „Auto“ für UKW-Sender.
8. Nach dem Scan werden die 10 stärksten UKW-Sender als Favorit gespeichert. Das Radio schaltet nun in den Standby-Modus um und im Display werden die aktualisierte Uhrzeit und das Datum angezeigt.

Bei Fehlfunktion aufgrund elektrostatischer Entladung führen Sie eine Rückstellung wie oben beschrieben durch, um den normalen Betrieb wiederherzustellen. Falls Sie die Rückstellung wie oben beschrieben nicht durchführen können, ist es erforderlich, alle Batterien zu entfernen und den Netzstecker zu ziehen und anschließend wieder einzulegen bzw. anzuschließen.

## TASTENSPERRE

Sie können für das Radio jederzeit die Tastensperre verwenden, unabhängig davon ob Sie sich im Stand-by-, DAB-, FM-, Bluetooth oder Aux-in-Modus befinden.

1. Halten Sie die **SOURCE**-Taste für ungefähr drei Sekunden gedrückt, bis „Locked“ in der LCD-Anzeige erscheint.
2. Bei eingeschalteter Tastensperre sind alle Funktionen des Radios solange deaktiviert, bis die Sperrung wieder aufgehoben wird. Während der Sperrung ist nur die Hintergrundbeleuchtung des Radios für einige Sekunden aktiv und es erscheint „Locked“ in der Anzeige.
3. Halten Sie die **SOURCE**-Taste erneut für ungefähr drei Sekunden gedrückt, bis „Unlocked“ in der LCD-Anzeige erscheint, um die Tastensperre aufzuheben.

Hinweis: Wenn Sie das Radio im Batteriebetrieb benutzen und es sich im Stand-by-Modus befindet, werden aus Energiespargründen nicht alle Tasten von der Hintergrundbeleuchtung des Radios erhellt sein.

## HINTERGRUNDBELEUCHTUNG

### Konfiguration der LCD-Hintergrundbeleuchtung

1. Schalten Sie das Radio mit der **Ein-/Ausschalttaste** ein.
2. Drücken Sie **MENU** und anschließend **TUNING ◀◀ oder ▶▶** bis im Display die Anzeige „System“ erscheint.
3. Drücken Sie **SELECT-INFO** und anschließend **TUNING ◀◀ oder ▶▶** bis im Display die Anzeige „LCD Backlight“ erscheint.
4. Drücken Sie **SELECT-INFO** um das Menü für die Anpassung der LCD-Hintergrundbeleuchtung aufzurufen.
5. Drücken Sie **TUNING ◀◀ oder ▶▶** um „on“ auszuwählen, damit die Hintergrundbeleuchtung immer aktiv ist, wenn das Radio per Netzbetrieb läuft.
6. Oder drücken Sie **TUNING ◀◀ oder ▶▶** um „off“ (Standard) auszuwählen, so dass die Hintergrundbeleuchtung 10 Sekunden lang aktiv ist, wenn bei Betzbetrieb eine Taste bestätigt wird.
7. Drücken Sie **SELECT-INFO** um Ihre Auswahl zu bestätigen.

Hinweis: Die LCD-Hintergrundbeleuchtungsoption „on“ ist nur verfügbar, wenn das Radio im Netzbetrieb läuft. Wenn das Radio per Akku betrieben wird, ist diese Option auf „off“ gesetzt – 10 Sekunden Beleuchtung, wenn eine Taste betätigt wird. Wenn das Radio wieder mit dem Stromnetz verbunden wird, wird die letzte Benutzereinstellung wieder aktiviert.

## GARANTIE

Dieses Gerät kommt mit einer 2-jährigen eingeschränkten Garantie.

**WARNUNG! Die Garantie wird nichtig, falls die Abdeckung geöffnet und das Gerät modifiziert oder verändert wurde!**

Die Garantie des Radios erstreckt sich nicht auf folgendes:

- Schäden aufgrund falscher Nutzung, Missbrauch, Fahrlässigkeit, Änderungen oder nicht genehmigter Reparaturen.
- Normale(r) Abnutzung und Verschleiß.
- Knicken oder Biegen der Antenne.
- Batterien sind Verbrauchsgüter und fallen nicht unter die Garantie des Radios.

## TECHNISCHE DATEN

### Stromversorgung

AC/DC Netzteil	Eingang: 110-240V 50/60Hz AC~, Ausgang: 12V DC 2A
Batterien	6 x 1,5V (Typ IEC LR6 / AM3 / Größe AA)
Wiederaufladbare Batterien	6 x 1,2V (Typ HR06 / Größe AA / 2500mAh wiederaufladbare NiMH-Batterie) Batterien der Marke PerfectPro werden empfohlen

### Frequenzbereich

FM 87.5 - 108 MHz  
DAB 174,928 - 239,200 MHz

### Anschlüsse

Lautsprecher	1 x Ø2 1/4 Zoll
Ausgangsleistung	1 x 5W
Aux-Eingang	Ø3,5 mm

## INFORMATIONEN

### Technische Daten



Dieses Gerät ist gemäß geltenden EU-Richtlinien geräuschgedämpft.

Das Produkt entspricht den Europäischen Richtlinien 2006/95/EC, 2005/32/EC und 2004/108/EC.

Dieses Gerät entspricht der Sicherheitsnorm DIN EN 60065 (VDE 0860) und somit der internationalen Sicherheitsnorm IEC 60065.

Das Gehäuse des Geräts darf unter keinen Umständen geöffnet werden. Der Hersteller haftet nicht für Schäden aufgrund unsachgemäßer Nutzung.

Das Typenschild befindet sich an der Unterseite des Geräts.

### Umweltgerechte Entsorgung

Dieses Produkt besteht aus hochwertigen Teilen und Materialien, die wiederverwertet und recycelt werden können.



Entsorgen Sie das Gerät nicht über den normalen Haushaltsmüll. Geben Sie es an einer Sammelstelle für das Recycling von elektrischen und elektronischen Geräten ab. Dieses Symbol auf dem Gerät, in der Bedienungsanleitung und auf der Verpackung weist auf diese Art der Entsorgung hin.

Informieren Sie sich auf Ihrer Gemeinde über örtliche Sammelstellen. Recyceln Sie Altgeräte, um die Umwelt zu schützen.





