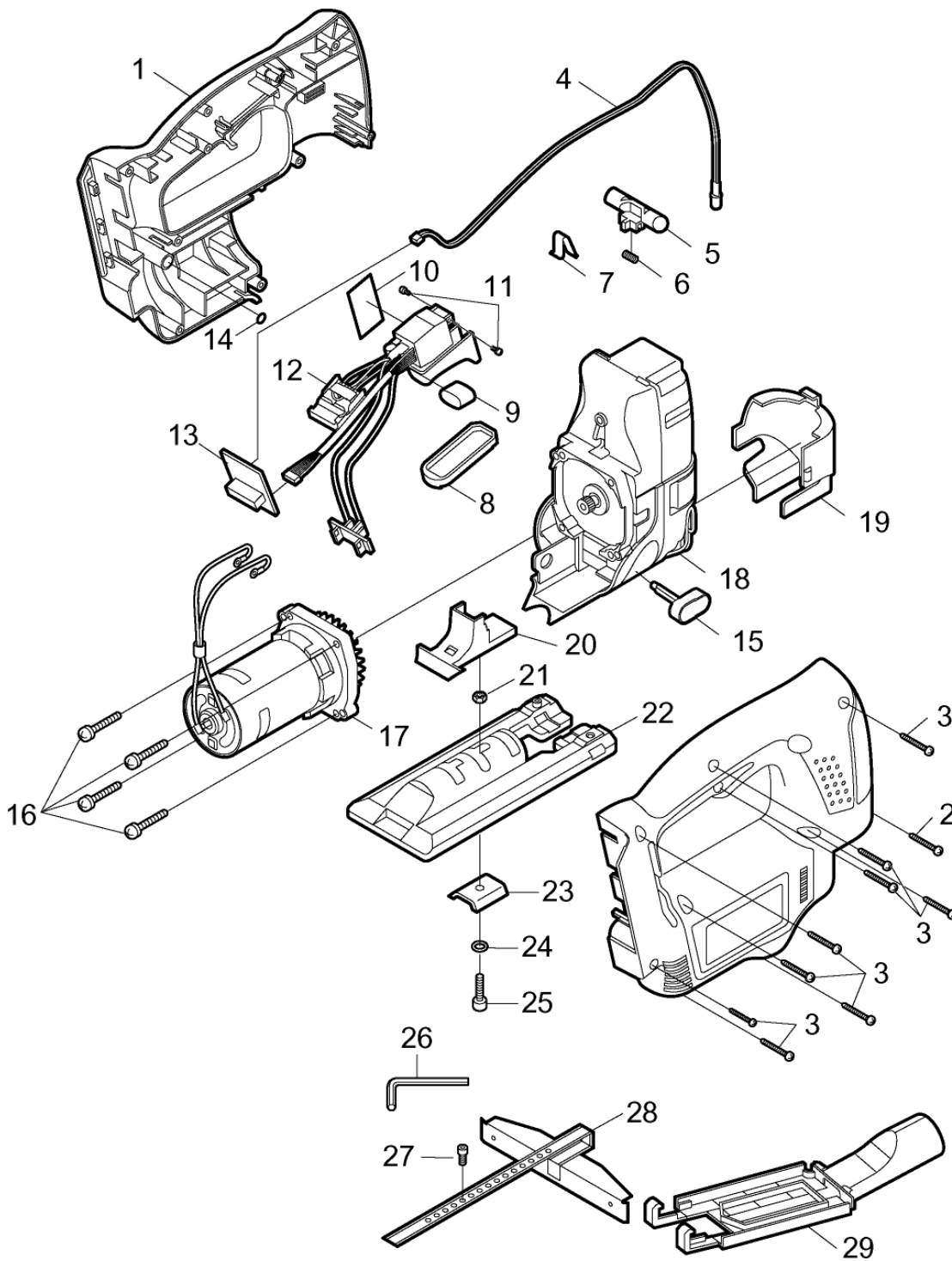

Model No. : EY4550 Exploded View



Model No. : EY4550 Parts List

| Safety | Ref. No. | Part No. | Part Name & Description | Q'ty | Remarks |
|--------|----------|--------------|----------------------------|------|--------------------|
| | 1 | WEY4550K3078 | HOUSING AB SET | 1 | |
| | 2 | WEY4550K9068 | TAPPING SCREW | 1 | (2.9X16) |
| | 3 | WEY4550K9138 | TAPPING SCREW | 9 | (4X16), (9PCS/PK) |
| | 4 | WEY4550L2338 | LED ASSEMBLY | 1 | |
| | 5 | WEY4550H3248 | SWITCH LOCK LEVER | 1 | |
| | 6 | WEY4550L0178 | SPRING | 1 | |
| | 7 | WEY4550L0168 | PLATE SPRING | 1 | |
| | 8 | WEY4550L0578 | SLIDE FRAME | 1 | |
| | 9 | WEY4550L0608 | HEAT CONTRACTION TUBE | 1 | |
| | 10 | WEY4550W8398 | ADHESIVE TAPE | 1 | (1 roll) |
| | 11 | WEY4550L6038 | SCREW | 2 | (M3X6), (2PCS/PK) |
| | 12 | WEY4550K2008 | SWITCH ASSEMBLY | 1 | |
| | 13 | WEY4550L2128 | CONTROL PCB | 1 | |
| | 14 | WEY4550L0968 | O-RING | 1 | |
| | 15 | WEY4550H1558 | BLOWING LEVER | 1 | |
| | 16 | WEY4550L6258 | PAN HEAD SCREW WITH WASHER | 4 | (M4X20), (4PCS/PK) |
| | 17 | WEY4550L1008 | MOTOR ASSEMBLY | 1 | |
| | 18 | WEY4550L1458 | GEAR CASE BLOCK | 1 | |
| | 19 | WEY4550X3108 | DUST COVER | 1 | |
| | 20 | WEY4550L0228 | LEVER FIXING BRACKET | 1 | |
| | 21 | WEY4550K6378 | HEXAGON NUT | 1 | (M5) |
| | 22 | WEY4550S1898 | BASE ASSEMBLY | 1 | |
| | 23 | WEY4550K0258 | CLAMP | 1 | |
| | 24 | WEY4550L6198 | SPRING WASHER | 1 | |
| | 25 | WEY4550K6138 | HEXAGON SOCKET SCREW | 1 | (M5X16) |
| | 26 | WEY4550K7868 | HEX WRENCH | 1 | |
| | 27 | WEY4550K6128 | HEXAGON SOCKET SCREW | 1 | (M5X10) |
| | 28 | WEY4550K7728 | RIP FENCE | 1 | |
| | 29 | WEY4550K7698 | DUST ADAPTOR | 1 | |
| | - | WEY003W8957 | GREASE (PERMALUB) | 1 | |
| | - | WEY4550K8108 | OPERATING INSTRUCTIONS | 1 | |