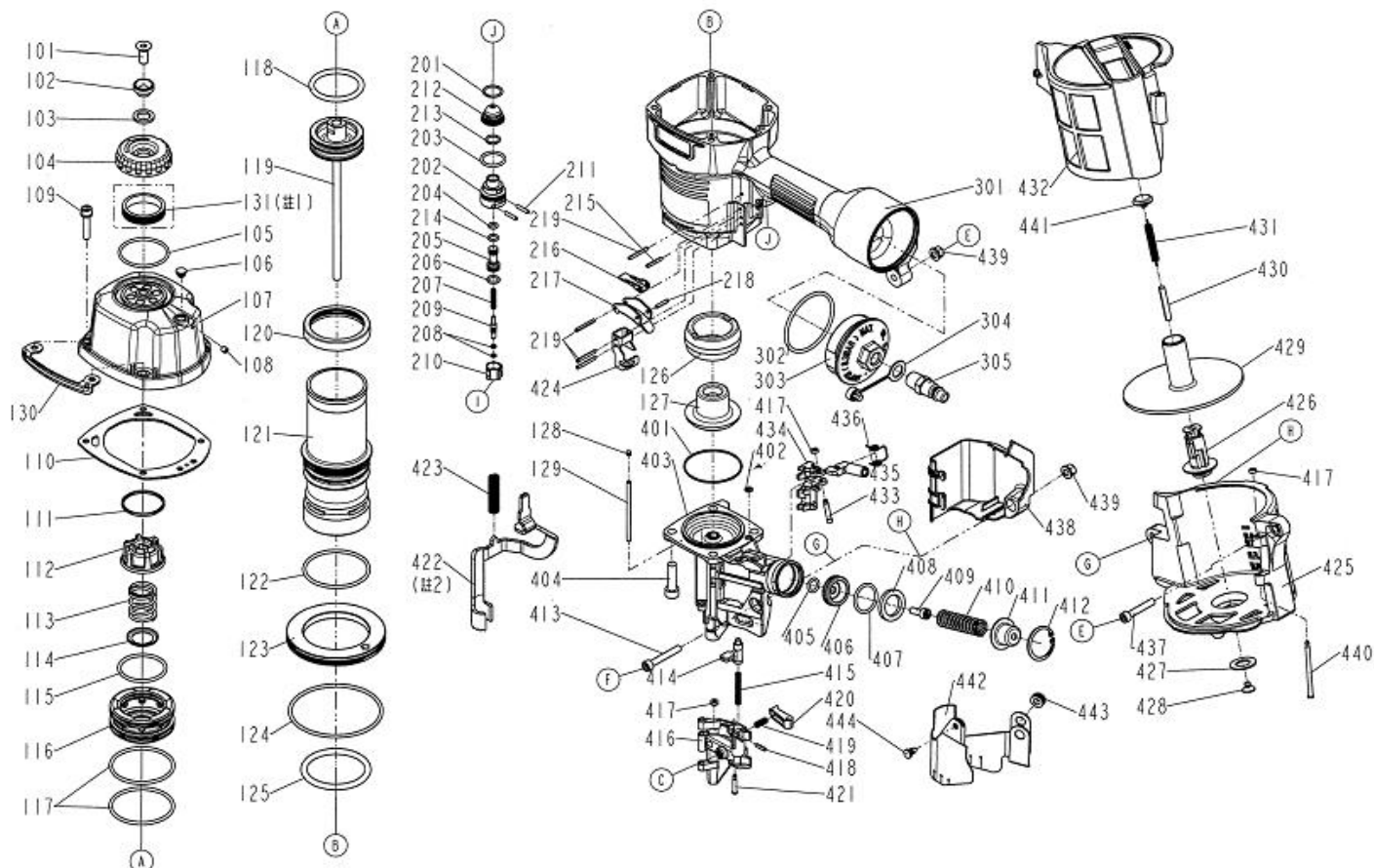


C 33/83



Rep	Code	Français	English	Deutsch	Español	Romana
101	12B01875	Vis	Counter sunk screw	Schraube	Tornillo	Surub
102	12B01868	rondelle	Washer	Scheibe	Arandela	Saiba
103	12B00174	Joint	Rubber Pad	O-ring	Junta	Garnitura
104	12B01867	défecteur	Deflector	Leitblech	Deflector	Deflector
105	12B01877	Joint	O-Ring	O-ring	Junta	Garnitura
106	12B00479	Obturateur	Grommet			
107	12B01865	Tête	Cap	Deckel	Tapa	Capac
108	12B00205	vis chc	Hex, soc HD Screw	Schraube	Tornillo	Surub
109	12B01873	vis chc	Bolt	Schraube	Tornillo	Surub
110	12B00570	joint de tête	Cylinder cap seal	Deckelzylinder	Cilindro de la tapa	Cilindru de capac
111	12B01869	rondelle	Washer seal	Scheibe	Arandela	Saiba
112	12B01866	joint	Seal	O-ring	Junta	Garnitura
113	12B00667	ressort de comp	Compression spring	Feder	Muelle	Arc
114	12B01210	Rondelle	Washer	Scheibe	Arandela	Saiba
115	12B00751	Joint	O-Ring	O-ring	Junta	Garnitura
116	12B01864	Valve de piston	HD Valve piston	Kolbenventil	Valvula del piston	Valva Pistonului
117	12B00562	Joint	O-Ring	O-ring	Junta	Garnitura
118	12B01879	Joint	O-Ring	O-ring	Junta	Garnitura
119	12B01841	Piston	Driver unit	Kolben	Piston	Piston
120	12B01872	Bague	Collar	Ring	Manguito	Inel
121	12B01847	Cylindre	Cylinder	Zylinder	cilindro	Cilindru
122	12B00684	Joint	O-Ring	O-ring	Junta	Garnitura
123	12B01848	bague de cylindre	Cylinder spacer	Zylinder Ring	Manguito de cilindro	Inel de cilindru
124	12B00623	Joint	O-Ring	O-ring	Junta	Garnitura
125	12B01881	Joint	O-Ring	O-ring	Junta	Garnitura
126	12B01849	amortisseur A	Bumper A	Puffer A	amortiguador A	Amortizor A
127	12B01850	amortisseur B	Bumper B	Puffer B	amortiguador B	Amortizor B
128	12B01860	bouchon	Cover	Deckel	tapadera	Capac
129	12B01862	pivot	Door shaft pin	Drehachse	Pivote	Pivot
130	12B01871	guide	Guide cover	Führer	Guia	Ghidaj
131	12B00346	silencieux	Muffler	Schalldampfer	Silenciador	Silentios
201	12B00556	Joint	O-Ring	O-ring	Junta	Garnitura
202	12B00532	Couvercle	Plunger Cap	Deckel	tapadera	Capac
203	12B00213	joint	O-Ring	O-ring	Junta	Garnitura
204	12B00212	joint	O-Ring	O-ring	Junta	Garnitura
205	12B00502	Servo commande	Valve plunger	Ventil	Cabeza de la valvula	Cap de valva

206	12B00209	joint	O-Ring	O-ring	Junta	Garnitura
207	12B00534	ressort	Spring	Feder	Muelle	Arc
208	12B00561	Joint	O-Ring	O-ring	Junta	Garnitura
209	12B00533	tige de servo cmde	Plunger	Sauger	Ventosa	Ventuzza
210	12B00531	servo commande	Trigger valve head	Ventil	Cabeza de la valvula	Cap de valva
211	12B00496	Pivot	Pin	Drehachse	Pivote	Pivot
212	12B00535	couvre servo cmde	Cover plunger	Ventilsdeckel	Cabeza de la valvula	Cap de valva
213	12B00557	Joint	O-Ring	O-ring	Junta	Garnitura
214	12B00565	Joint	O-Ring	O-ring	Junta	Garnitura
215	12B01876	Goupille	Spiral pins	Stift	Clavija	Zavor
216	12B01228	déclencheur	Secondary trigger	Zweite Ausloser	Parada	Opritor secundor
217	12B01227	gâchette	Trigger	Drücker	Gatillo	Opritor
218	12B00220	Goupille 3 x 16 mm	Spring pin	Stift	Clavija	Zavor
219	12B00551	Goupille	Spiral pins	Stift	Clavija	Zavor
301	12B01842	Corps	Gun body unit	Gehäuse	Cuerpo	Corp
302	12B00555	Joint	O-Ring	O-ring	Junta	Garnitura
303	12B01305	Couvercle	End cap	Deckel	tapadera	Capac
304	12B01821	protection plastique	Dusty cover	Kunststoffschrürze	Proteccion plastico	Protectile
305	12B00019	raccord	Air plug	Anschluss	Empalme	Racord
401	12B01880	Joint	O-Ring	O-ring	Junta	Garnitura
402	12B01878	Joint	O-Ring	O-ring	Junta	Garnitura
403	12B01870	nez	Nose	Nase	Morro	Nas
404	12B01874	vis chc	Hex soc HD bolt	Schraube	Tornillo	Surub
405	12B00622	Joint	O-Ring	O-ring	Junta	Garnitura
406	12B00522	piston	Feed piston B	Kolben	Piston	Piston
407	12B00558	Joint	O-Ring	O-ring	Junta	Garnitura
408	12B00508	amortisseur	Feed bumper	Puffer	amortiguador	Amortizor
409	12B00545	kit vis	Bolt assy	Schraube set	Tornillo kit	clips
410	12B01863	Ressort	Pusher spring	Feder	Muelle	Arc
411	12B00524	couvercle	Feed piston cap	Deckel	tapadera	Capac
412	12B00550	amortisseur	Scerw	Puffer	amortiguador	Amortizor
413	12B00548	vis chc	Hex soc HD bolt	Schraube	Tornillo	Surub
414	12B01845	levier	Door latch	Hebel	Palanca	Impagatot
415	12B01846	ressort	Latch spring	Feder	Muelle	Arc
416	12B01861	porte	Door	Gatter	Puerta	Usa
417	12B00516	anneau de retenue	Pu retainer	Scheibe	Arandela	Saiba
418	12B00139	Ressort	Spring pin	Feder	Muelle	Arc
419	12B01853	ressort d'arrêt	Stopper finger spring	Feder	Muelle	Arc
420	12B01237	arrêt de pointe	Nail stop	Stoppen	Parada	Opritor
421	12B01859	goupille	Pin nail stop	Stift	Clavija	Zavor
422	12B01851	sécurité	Safety	Sicherung	Seguridad	Siguranta
423	12B01852	Ressort sécurité	Safety spring	sicherungsFeder	Muelle de seguridad	Arc de siguranta
424	12B00500	guide sécurité	Safety guide	Sicherheitfuhung	Guia de seguridad	Guidaj de sigurante
425	12B01855	magasin	Magazine case	Magazin	Almacen	Magazie
426	12B01858	axe du magasin	Magaeing post	Achse	Ajuste	Axa
427	12B00541	rondelle	Rubber ring	Scheibe	Arandela	Saiba
428	12B00505	socle de ressort	Spring base	socket	Zocalò	Bazà
429	12B01857	entretoise	Spacer	Abstandshalter	Tirante	Spacer
430	12B00540	entretoise	Spacer	Abstandshalter	Tirante	Spacer
431	12B00577	ressort de traction	Pull spring	Feder	Muelle	Arc
432	12B01856	magasin	Magazine cover	Magazin	Almacen	Magazie
433	12B00523	goupille	Pin feef piston	Stift	Clavija	Zavor
434	12B01843	avance pointes	Feed finger	Ausloser	pulsador	secundor
435	12B00521	piston	Feed piston	Kolben	Piston	Piston
436	12B01844	ressort	Feed finger spring	Feder	Muelle	Arc
437	12B00547	vis chc	Hex, soc HD Bolt	Schraube	Tornillo	Surub
438	12B01854	socle de ressort A	Spring cover	socket	Zocalò	Bazà
439	12B00567	ecrou	Bolt cap	Mutter	Tuerca	Piulita
440	12B00605	goupille	Magazine shaft pin	Stift	Clavija	Zavor