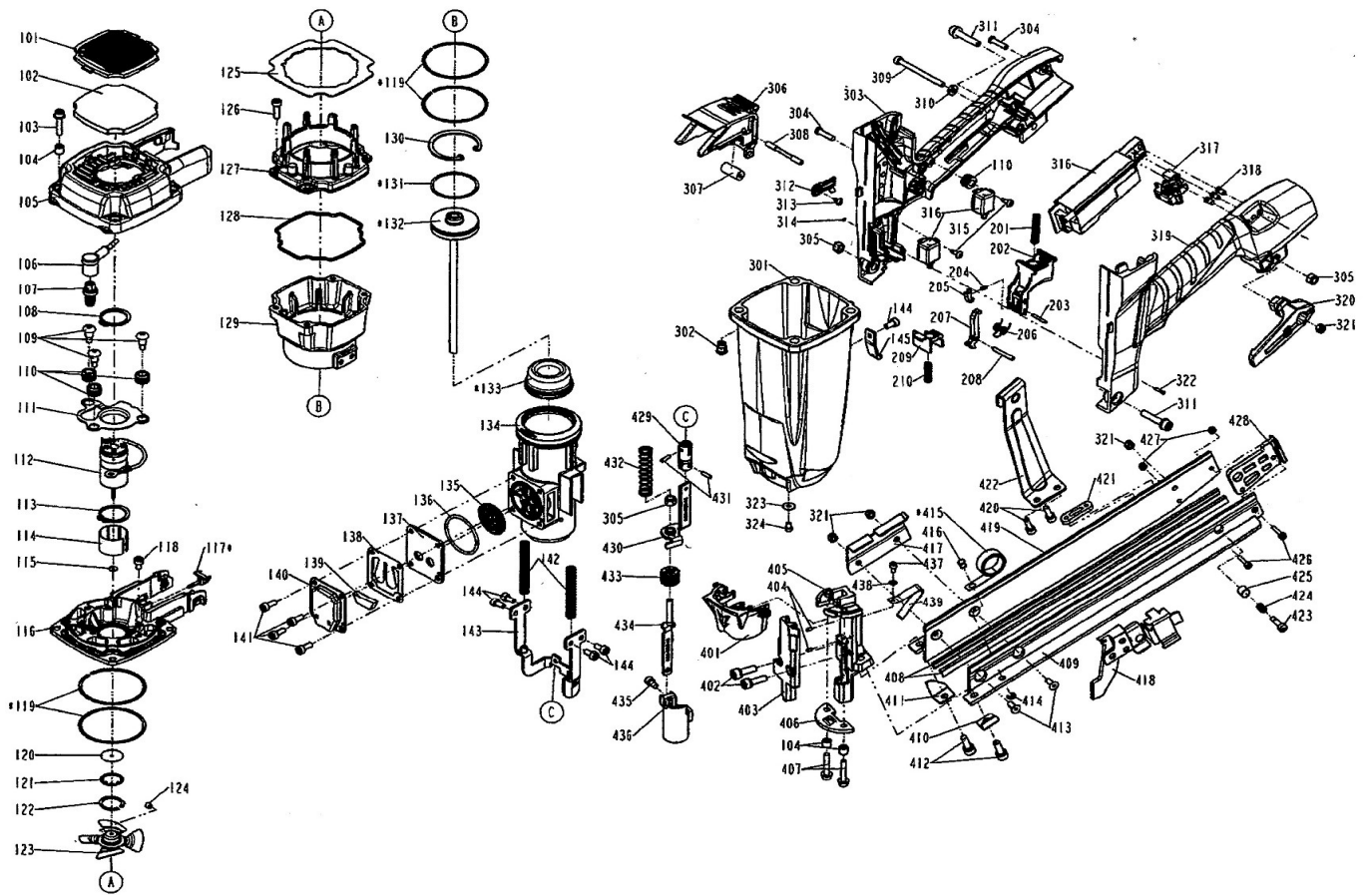


F 22/35 G2



| Repère | Code     | Français                        | English                    | Deutsch                  |
|--------|----------|---------------------------------|----------------------------|--------------------------|
| 101    | 12B03157 | Deflecteur                      | Deflector                  | Deflektor                |
| 102    | 12B02697 | Filtere                         | Filter                     | Filter                   |
| 103    | 12B02845 | Vis C HC M4-20                  | Bolt W/flat washer         | Schraube                 |
| 104    | 12B02699 | Entretoise                      | Collor                     | Zwischenteil             |
| 105    | 12B03158 | Couvercle                       | Cap                        | Deckel                   |
| 106    | 12B03159 | Câble haute tension             | High voltage cable set     | Hochspannungskabel       |
| 107    | 12B02702 | Bougie d'allumage               | Sparkler unit              | Zündkerze                |
| 108    | 12B02546 | Circlips                        | C-ring                     | C-Ring                   |
| 109    | 12B02703 | Vis                             | Screw                      | Schraube                 |
| 110    | 12B02733 | Silent bloc                     | Feed bumper                | Puffer                   |
| 111    | 12B02704 | Plaque de centrage              | Fan motor bracket          | Positionierblatt         |
| 112    | 12B02705 | Moteur                          | Motor unit                 | Motor                    |
| 113    | 12B02594 | Circlips                        | C-ring                     | C-Ring                   |
| 114    | 12B02550 | Manchon moteur                  | Sleeve motor               | Muffe                    |
| 115    | 12B02551 | Rondelle de guidage             | Washer-motor shaft         | Scheibe                  |
| 116    | 12B02707 | Culasse                         | End cap-combustion chamber | Zylinderkopf             |
| 117    | 12B02706 | Injecteur                       | Fuel stem adapter          | Kraftstoffvorratsadapter |
| 118    | 12B02734 | Vis C HC M4-6                   | Hex. Soc. Head bolt        | Schraube                 |
| 119    | 12B02708 | Segment                         | Piston ring-cylinder       | Kolbenring               |
| 120    | 12B02555 | Rondelle                        | Seal                       | Scheibe                  |
| 121    | 12B02556 | Rondelle                        | Seal plate-motor           | Scheibe                  |
| 122    | 12B02557 | Circlips                        | In-concentric ring         | C-Ring                   |
| 123    | 12B02710 | Ventilateur                     | cooling fan ASSY           | Fan                      |
| 124    | 12B02846 | Vis sans tête M4-4              | Hex. Soc. Head screw       | Schraube                 |
| 125    | 12B02711 | Joint                           | Spacer                     | Dichtung                 |
| 126    | 12B00150 | Vis C HC M4-14                  | Hex. Soc. Head bolt        | Schraube                 |
| 127    | 12B02712 | Chambre de combustion supérieur | Upper combustion chamber   | Oberer brennkammer       |
| 128    | 12B02713 | Joint                           | Packing                    | Dichtung                 |
| 129    | 12B02714 | Chambre de combustion           | Combustion chamber         | Brennkammer              |
| 130    | 12B02715 | Circlips                        | C-ring                     | C-Ring                   |
| 131    | 12B02716 | Segment                         | Piston ring                | Kolbenring               |
| 132    | 12B03160 | Piston F22/35G2                 | Driver unit                | Kolben F22/35G2          |
| 133    | 12B02718 | Amortisseur                     | Bumper                     | Puffer                   |
| 134    | 12B02848 | Cylindre                        | Cylinder                   | Zylinder                 |
| 135    | 12B02720 | Filtere                         | Exhaust mesh plate         | Filter                   |
| 136    | 12B02721 | Joint                           | O-ring                     | O-Ring                   |
| 137    | 12B02722 | Support clapet                  | Exhaust baffle             | Platte                   |
| 138    | 12B02723 | Clapets                         | Reed valve                 | Ventil                   |
| 139    | 12B02724 | Filtere                         | Cleaner B                  | Filter                   |
| 140    | 12B02725 | Deflecteur                      | Deflector                  | Deflektor                |
| 141    | 12B00148 | Vis C HC M4-10                  | Hex. Soc. Head bolt        | Schraube                 |

|     |          |                     |                             |                   |
|-----|----------|---------------------|-----------------------------|-------------------|
| 142 | 12B02726 | Ressort             | Safety spring               | Feder             |
| 143 | 12B02727 | Arceau de sécurité  | Safety C unit               | Sicherung C       |
| 144 | 12B02728 | Vis C HC M4-8       | Hex. Soc. Head bolt         | Schraube          |
| 145 | 12B02732 | Levier              | Motor fan switch lever      | Schalthebel       |
| 201 | 12B02735 | Ressort             | Spring                      | Feder             |
| 202 | 12B02736 | Gâchette            | Trigger                     | Auslöser          |
| 203 | 12B02737 | Goupille            | Pin                         | Stift             |
| 204 | 12B02775 | Ressort             | Guide locating spring       | Feder             |
| 205 | 12B02776 | Arrêt               | Stopper                     | Stopper           |
| 206 | 12B02777 | Ressort             | Spring                      | Feder             |
| 207 | 12B02778 | Sécurité            | Safety                      | Sicherung         |
| 208 | 12B02779 | Goupille            | Pin                         | Stift             |
| 209 | 12B02780 | Bloc de liaison     | Link-block                  | Verknüpfung       |
| 210 | 12B02781 | Ressort             | Spring                      | Feder             |
| 301 | 12B02849 | Corps               | Gun body                    | Gehäuse           |
| 302 | 12B02783 | Insert              | Cap nut                     | Mutter            |
| 303 | 12B03161 | Poignée A           | Handle A unit               | Griff A           |
| 304 | 12B00844 | Vis                 | Tap bolt                    | Schraube          |
| 305 | 12B02785 | Ecrou nilstop M5    | Lock nut                    | Mutter            |
| 306 | 12B02786 | Levier d'injection  | Fuel actuator               | Gas Deckel        |
| 307 | 12B02614 | Rouleau             | Bush-fuel actuator          | Zwischenteil      |
| 308 | 12B02612 | Goupille            | Pin-fuel actuator           | Stift             |
| 309 | 12B02793 | Vis C HC M4-50      | Hex. Soc. Head bolt         | Schraube          |
| 310 | 12B02792 | Rondelle            | Flat washer                 | Scheibe           |
| 311 | 12B02789 | Vis C HC M5-25      | Bolt W/flat washer          | Schraube          |
| 312 | 12B02790 | Couvercle           | Wire harness plate          | Deckel            |
| 313 | 12B00046 | Vis                 | Tap bolt                    | Schraube          |
| 314 | 12B02853 | Circlips            | E-ring                      | E-Ring            |
| 315 | 12B02787 | Vis                 | Tap bolt                    | Schraube          |
| 316 | 12B03162 | Module électronique | PCB ASSY                    | PCB Modul         |
| 317 | 12B03099 | Connecteur batterie | Connecting unit             | AKKU Stecker      |
| 318 | 12B03100 | Couvercle LED       | LED cover                   | LED Deckel        |
| 319 | 12B03163 | Poignée B           | Handle B unit               | Griff B           |
| 320 | 12B02791 | Crochet             | Spring retainer             | Haken             |
| 321 | 12B02420 | Ecrou nilstop M4    | Lock nut                    | Mutter            |
| 322 | 12B02852 | Goupille            | Fixed pin                   | Stift             |
| 323 | 12B02850 | Rondelle            | Flat washer                 | Scheibe           |
| 324 | 12B02851 | Vis C HC M3-5       | Hex. Soc. Head bolt         | Schraube          |
| 401 | 12B02854 | Couvercle           | Cover-safety                | Deckel            |
| 402 | 12B00203 | Vis C HC M5-16      | Bolt ASSY                   | Schraube          |
| 403 | 12B02855 | Plaque avant        | Driver guide cover A        | Vorderplatte      |
| 404 | 12B02856 | Goupille            | Pin                         | Stift             |
| 405 | 12B02857 | Nez                 | Driver guide                | Naze              |
| 406 | 12B02858 | Plaque              | Bracket unit                | Schalllatt        |
| 407 | 12B02859 | Vis C HC M4-22      | Bolt W/flat washer          | Schraube          |
| 408 | 12B02860 | Guide               | Steel channel               | Führung           |
| 409 | 12B02861 | Magasin A           | Magazine A                  | Magazin A         |
| 410 | 12B02862 | Couvercle A         | Guide cover                 | Deckel A          |
| 411 | 12B02863 | Couvercle B         | Guide cover A               | Deckel B          |
| 412 | 12B02864 | Vis C HC M5-14      | Bolt ASSY                   | Schraube          |
| 413 | 12B00841 | Vis F HC M4-10      | Counter sunk screw          | Schraube          |
| 414 | 12B00056 | Circlips            | E-ring                      | E-Ring            |
| 415 | 12B01349 | Ressort             | Spring                      | Feder             |
| 416 | 12B01242 | Goupille            | Bracket                     | Stift             |
| 417 | 12B02865 | Couvercle           | Staplers bracket            | Deckel            |
| 418 | 12B02866 | Poussoir            | Pusher unit                 | Kloben            |
| 419 | 12B02867 | Magasin B           | Magazine B                  | Magazin B         |
| 420 | 12B00259 | Vis C HC M4-12      | Bolt ASSY                   | Schraube          |
| 421 | 12B02868 | Entretoise          | Positionning sheet          | Zwischenteil      |
| 422 | 12B02869 | Support             | Bracket unit                | Magazinträger     |
| 423 | 12B02870 | Loquet              | Door latch                  | Klobenriegel      |
| 424 | 12B02871 | Ressort             | Trigger valve stem B spring | Feder             |
| 425 | 12B02872 | Logement            | Door latch cover            | Riegelführung     |
| 426 | 12B00675 | Vis C HC M3-14      | Hex. Soc. Head bolt         | Schraube          |
| 427 | 12B00691 | Ecrou nilstop M3    | Lock nut                    | Mutter            |
| 428 | 12B02874 | Entretoise          | Spacer A                    | Zwischenteil      |
| 429 | 12B02875 | Pièce de liaison    | Link rod                    | Verbindungsstange |
| 430 | 12B02876 | Sécurité B          | Safety B unit               | Sicherung B       |
| 431 | 12B02731 | Goupille            | Spiral pins                 | Stift             |
| 432 | 12B02877 | Ressort             | Safety spring               | Feder             |
| 433 | 12B02878 | Molette de réglage  | Adjust axie                 | Einstellrad       |
| 434 | 12B02879 | Sécurité A          | Safety A                    | Sicherungeinheit  |
| 435 | 12B00315 | Vis C HC M4-8       | Bolt ASSY                   | Schraube          |
| 436 | 12B02880 | Sécurité            | Safety                      | Sicherung         |
| 437 | 12B01590 | Vis C HC M3-6       | Hex. Soc. Head bolt         | Schraube          |
| 438 | 12B02881 | Rondelle            | Flat washer                 | Scheibe           |
| 439 | 12B02882 | Ressort             | Spring                      | Feder             |